

Konami Inc.
Century Inc.

CIRCUS CHARLIE™



SERVICE MANUAL
901-2169

CIRCUS CHARLIE
OPTIONAL DIP SWITCH SETTINGS

A. Dip Switch No.1 (8P Dip Switch)

Credits

Coin	Plays	SW1	SW2	SW3	SW4	SW5	SW6	SW7	SW8
1	1	Off	Off	Off	Off	Off	Off	Off	Off
1	2	On	Off	Off	Off	On	Off	Off	Off
1	3	Off	On	Off	Off	Off	On	Off	Off
1	4	On	On	Off	Off	On	On	Off	Off
1	5	Off	Off	On	Off	Off	Off	On	Off
1	6	On	Off	On	Off	On	Off	On	Off
1	7	Off	On	On	Off	Off	On	On	Off
2	1	On	On	On	Off	On	On	On	Off
2	3	Off	Off	Off	On	Off	Off	Off	On
2	5	On	Off	Off	On	On	Off	Off	On
3	1	Off	On	Off	On	Off	On	Off	On
3	2	On	On	Off	On	On	On	Off	On
3	4	Off	Off	On	On	Off	Off	On	On
4	1	On	Off	On	On	On	Off	On	On
4	3	Off	On	On	On	Off	On	On	On
Free Play		On	On	On	On	On	On	On	On

B: Dip Switch No.2 (8P Dip Switch)

1. Number Of Clowns

Number	SW1	SW2
<input type="radio"/> 3	Off	Off
4	On	Off
5	Off	On
7	On	On

2. Game Type

Style	SW3	Players
Table	Off	1 or 2 Players
Upright	On	Only 1 Player

3. Bonus Points Setting

First	And Every	SW4	SW5
<input type="radio"/> 20,000	70,000	Off	Off
30,000	80,000	On	Off

B. Dip Switch No.2 (continues)

4. Play Difficulty

Option	SW6	SW7
Easy	Off	Off
<input type="radio"/> Normal	On	Off
Hard	Off	On
Difficult	On	On

5. Audio Attraction

Sound Mode	SW8
No Sound In Attract Mode	Off
<input type="radio"/> Sound In Attract Mode	On

Denotes Normal Settings

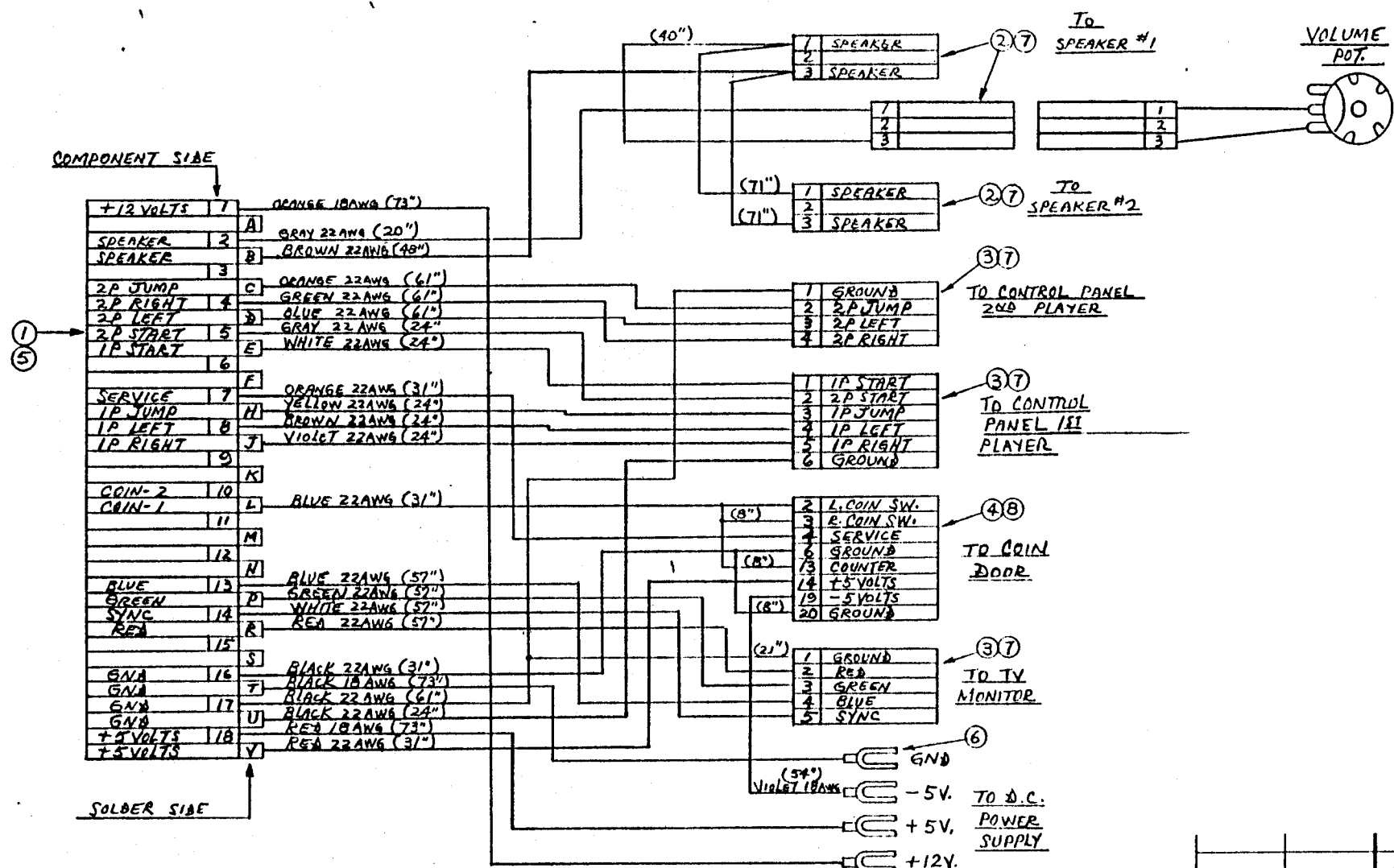
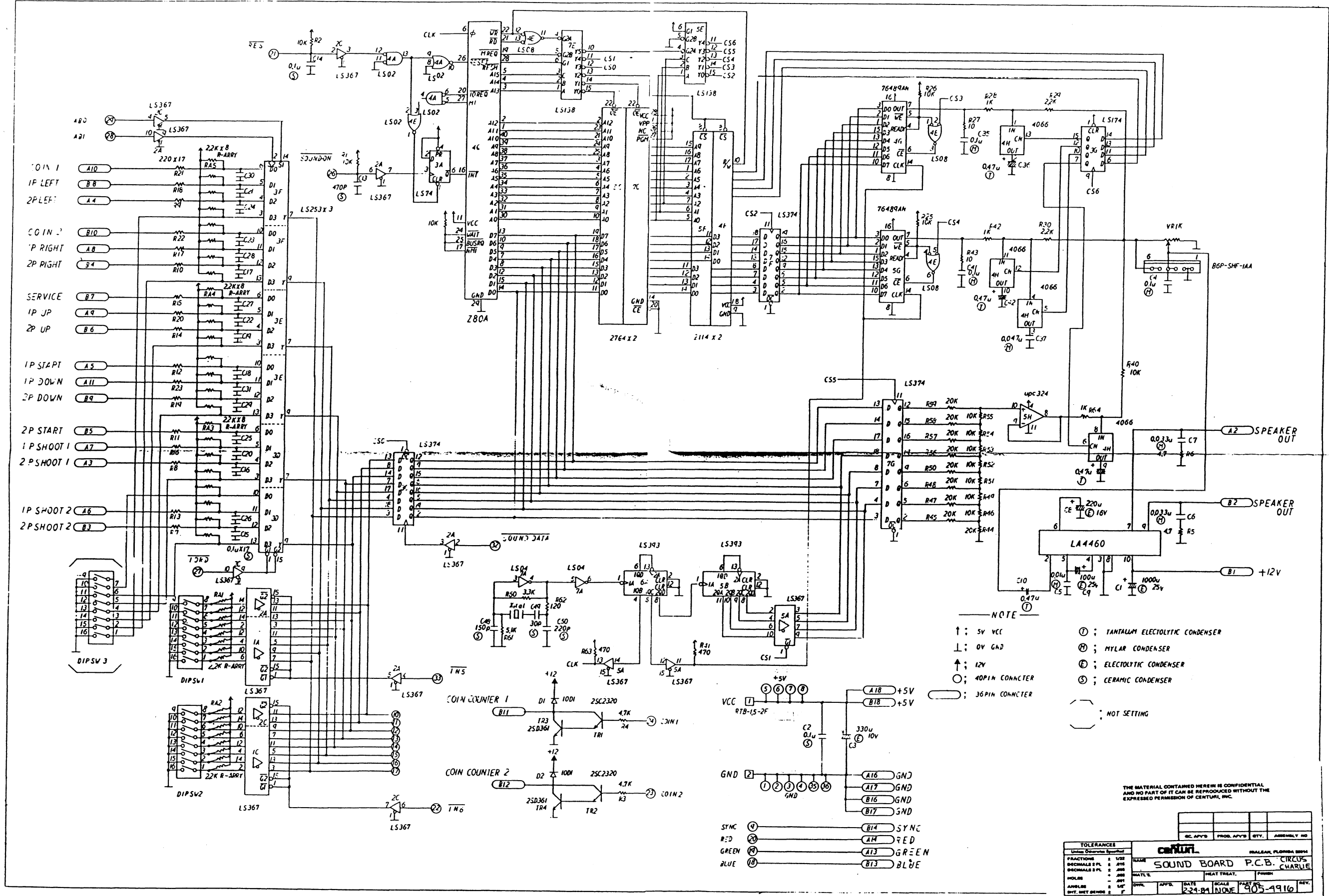


FIGURE 13

QC. APV'D	PROD. APV'D	QTY	ASSEMBLY NO
		1	

TOLERANCES				HIALEAH, FLORIDA 33014			
Unless Otherwise Specified				NAME			
FRACTIONS	±	1/32		CPU HARNESS-CIRCUS CHARLIE, C/T			
DECIMALS 2 PL	±	.015		MATERIALS			
DECIMALS 3 PL	±	.005		HEAT TREAT.			
HOLES	±	.003		FINISH			
ANGLES	±	1/2°		DWN	DATE	SCALE	PART NO.
SMT. MET BENDS	±	2°		M.S.	12-28-83	X	008-4930
REV. LET.	ECN NO.	REVISION	BY	APP'D.	DATE	SCALE	PART NO.
A	4041-01	CHANGED GRAY WIRE TO BRN, CHANGED BRN WIRE TO GRAY FROM 24 TO 18 AWG. GRAY FROM 24 TO 18 AWG.	M.S.				008-4930
							REV. A



NOTE

- ↑; 5V VCC
- ⊥; 0V GND
- ↑↑; 12V
- ; 40PIN CONNECTER
- ; 36PIN CONNECTER
- ⊙; TANTALUM ELECTROLYTIC CONDENSER
- ⊕; MYLAR CONDENSER
- ⊖; ELECTROLYTIC CONDENSER
- ⊙; CERAMIC CONDENSER
- ⊖; NOT SETTING

THE MATERIAL CONTAINED HEREIN IS CONFIDENTIAL AND NO PART OF IT CAN BE REPRODUCED WITHOUT THE EXPRESSED PERMISSION OF CENTURI, INC.

TOLERANCES		UNLESS OTHERWISE SPECIFIED	
FRACTIONS	± 1/2%	RESISTORS	± 1%
DECIMALS	± 1%	CAPACITORS	± 5%
HOLDERS	± 0.01	WELDS	± 0.01
ANGLES	± 1/2°	SCALE	AS SHOWN
DRY. MET. DIMS	± 0.005	DATE	2-24-84
		SCALE	NONE
		PART NO.	905-4916
		REV.	

- ① A18 +5V
- ② B18 +5V
- ③ A16 GND
- ④ A17 GND
- ⑤ B16 GND
- ⑥ B17 GND
- ⑦ B14 SYNC
- ⑧ R23 RED
- ⑨ GREEN
- ⑩ BLUE

REV.	DATE	BY	CHKD.

centuri
SOUND BOARD P.C.B. CHARLIE