

CRAZY KONG

Technical Manual

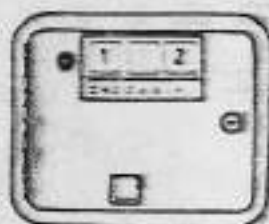
- CRAZY KONG -

SWITCHES ADJUSTMENT

	1	2	3	4	5	6	7	8	
M4%	OFF ON OFF ON	OFF OFF ON ON							3 4 5 6
BONUS POINT			OFF ON OFF ON	OFF OFF ON ON					7.000 POINTS 10.000 POINTS 15.000 POINTS 20.000 POINTS
COIN MECHANISM					OFF OFF OFF OFF ON ON ON ON	OFF ON OFF ON OFF ON OFF ON	OFF OFF ON ON		1 COIN 1 PLAY 1 2 1 3 1 4 2 1 3 1 4 1 5 1
CABINET VERSION								OFF ON	TABLE TYPE UP RIGHT TYPE

* TO ADJUST COIN RECEPTOR, SEE "COIN SWITCHES ADJUSTMENT" BOARD

- COIN SWITCH ADJUSTMENT (P.C. 181145) -



1: Coin mechanism 1

2: Coin mechanism 2

COIN MECHANISM 1

1	2	3	8	
OFF	ON	OFF	OFF	2 COINS - 1 PLAY
OFF	ON	OFF	ON	1 COIN - 1 PLAY
OFF	OFF	ON	ON	1 COIN - 2 PLAYS
OFF	ON	ON	ON	1 COIN - 3 PLAYS
ON	OFF	OFF	ON	2 COINS - 4 PLAYS
ON	ON	OFF	ON	1 COIN - 5 PLAYS
ON	OFF	ON	ON	1 COIN - 6 PLAYS
ON	ON	ON	ON	1 COIN - 7 PLAYS

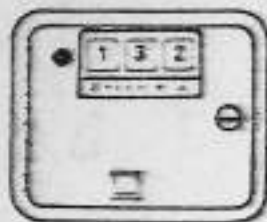
COIN MECHANISM 2

4	5	6	7	
OFF	ON	OFF	OFF	2 COINS - 1 PLAY
OFF	ON	OFF	ON	1 COIN - 1 PLAY
OFF	OFF	ON	ON	1 COIN - 2 PLAYS
OFF	ON	ON	ON	1 COIN - 3 PLAYS
ON	OFF	OFF	ON	1 COIN - 4 PLAYS
ON	ON	OFF	ON	1 COIN - 5 PLAYS
ON	OFF	ON	ON	1 COIN - 6 PLAYS
ON	ON	ON	ON	1 COIN - 7 PLAYS

ATTENTION:

Do not use other possible combinations.

- COIN SWITCH ADJUSTMENT (P.C. 1B1145) -



- 1: Coin mechanism 1
- 3: Coin mechanism 3
- 2: Coin mechanism 2

COIN MECHANISM 1

FIXED CONDITION	1 COIN - 1 PLAY
-----------------	-----------------

COIN MECHANISM 2

4	5	6	7	
OFF	ON	OFF	OFF	2 COINS - 1 PLAY
OFF	ON	OFF	ON	1 COIN - 1 PLAY
OFF	OFF	ON	ON	1 COIN - 2 PLAYS
OFF	ON	ON	ON	1 COIN - 3 PLAYS
ON	OFF	OFF	ON	1 COIN - 4 PLAYS
ON	ON	OFF	ON	1 COIN - 5 PLAYS
ON	OFF	ON	ON	1 COIN - 6 PLAYS
ON	ON	ON	ON	1 COIN - 7 PLAYS

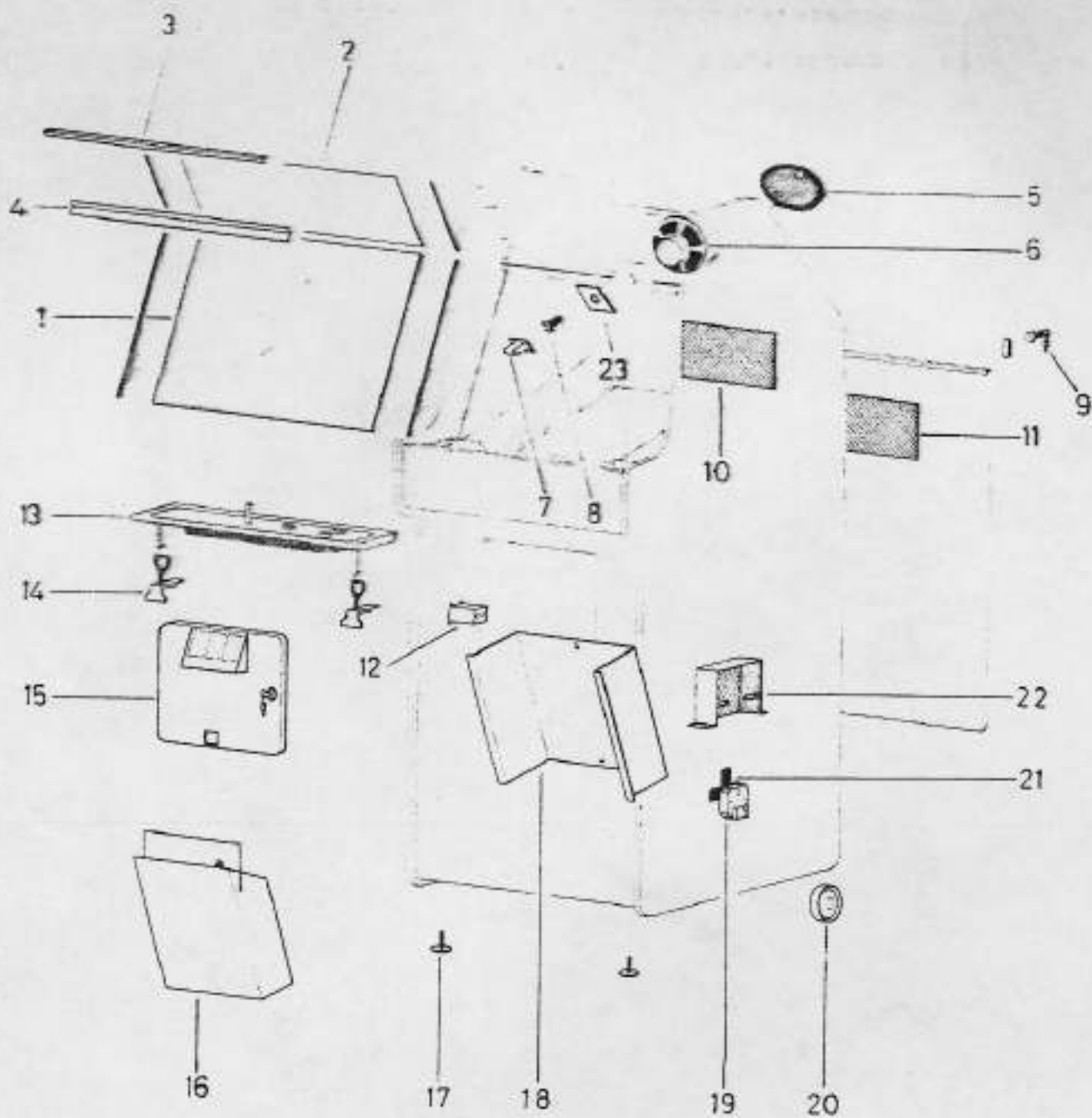
COIN MECHANISM 3

1	2	3	8	
OFF	ON	OFF	OFF	2 COINS - 1 PLAY
OFF	ON	OFF	ON	1 COIN - 1 PLAY
OFF	OFF	ON	ON	1 COIN - 2 PLAYS
OFF	ON	ON	ON	1 COIN - 3 PLAYS
ON	OFF	OFF	ON	1 COIN - 4 PLAYS
ON	ON	OFF	ON	1 COIN - 5 PLAYS
ON	OFF	ON	ON	1 COIN - 6 PLAYS
ON	ON	ON	ON	1 COIN - 7 PLAYS

ATTENTION :

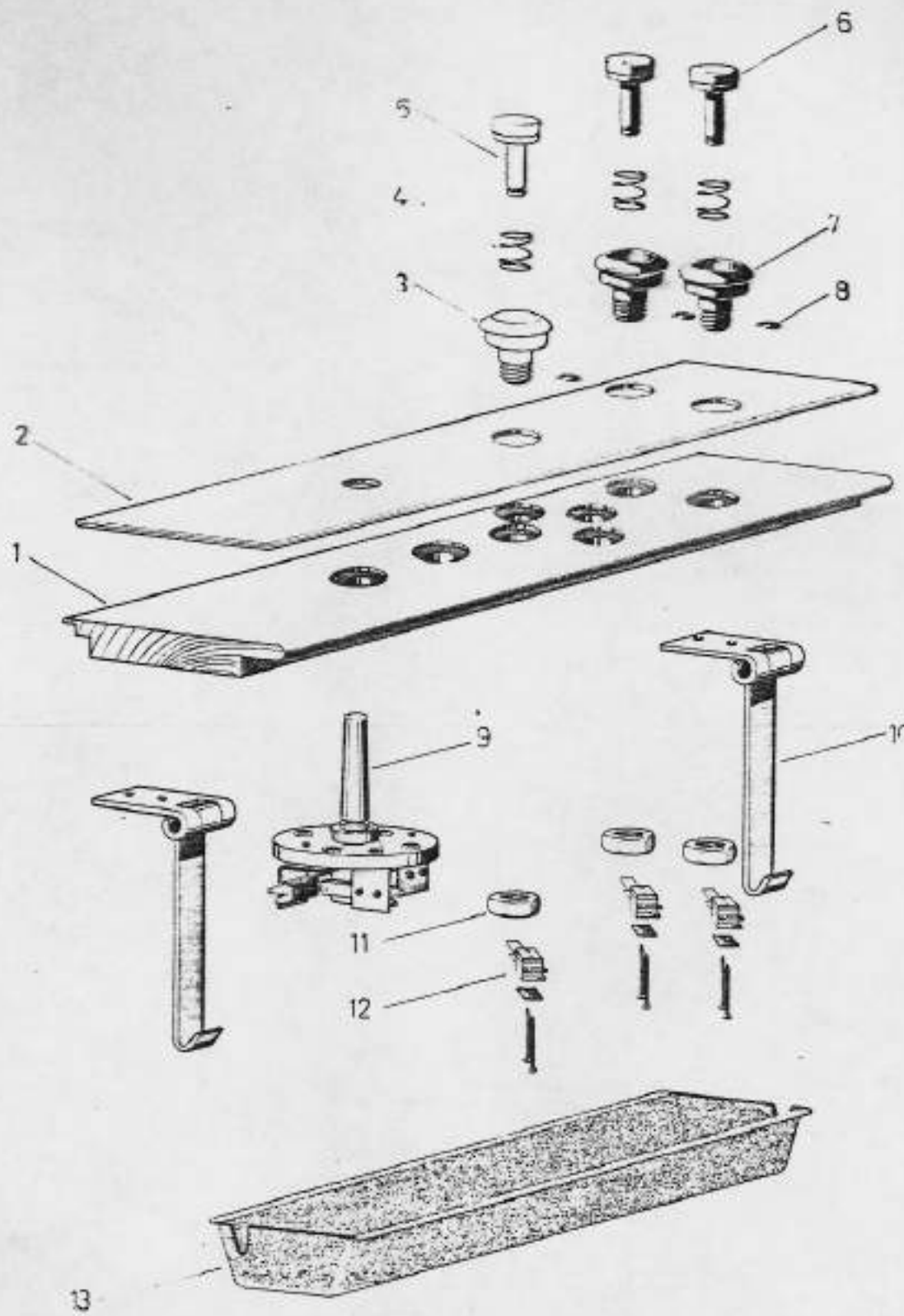
Do not use other possible combinations.

**mechanical
parts**



TAV. 1

1	MRB 492	Vetro serigrafato 600x477
2	MRB 491	Vetro serigrafato 600x175
3	A 7373	Ferma vetro superiore
4	A 7374	Ferma vetro inferiore
5	ASB 118	Protezione altoparlante
6	CE 2018	Altoparlante 7 W 8 OHM
7	A 7298	Protezione interruttore
8	A 4451	Interruttore
9	B 7151	Serratura
10	A 7378	Rete stirata 200x105
11	A 7295	Rete stirata 250x130
12	B 6110	Contatore
13	C 8304	Pannello comandi assemblato
14	B 6115	Bloccaggio a leva regolabile
15	C 8109	Sportello per gettoniera
16	B 7154	Cassetta monete
17	A 7351	Protezione cassetta monete
18	B 7045	Piedino
19	A 6276	Ruota nylon \varnothing 80
20	B 7240	Motore per ventola
21	AS 1066	Ventola a 3 pale
22	B 7235	Supporto ventilatore
23	A 5112	Piastrina porta interruttore



1	FB 117	Tavoletta in legno
2	MRB 490	Mascherina comando serigrafata Crazy Kong
3	A 5225	Corpo pulsante rosso
4	A 4272	Molla richiamo pulsante
5	B 6130	Pulsante rosso
6	B 6114	Pulsante bianco
7	A 5211	Corpo pulsante bianco
8	A 4202	Anello Din Ø 6
9	C 8183	Comando a leva 4 posizioni
10	B 6118	Cerniera con tirante
11	A 5214	Dado bloccaggio
12	B 9021	Pacco lamellare
13	A 7314	Scatola proiezione pacchi lamellari



C8183 COMANDO A LEVA
A QUATTRO POSIZIONI

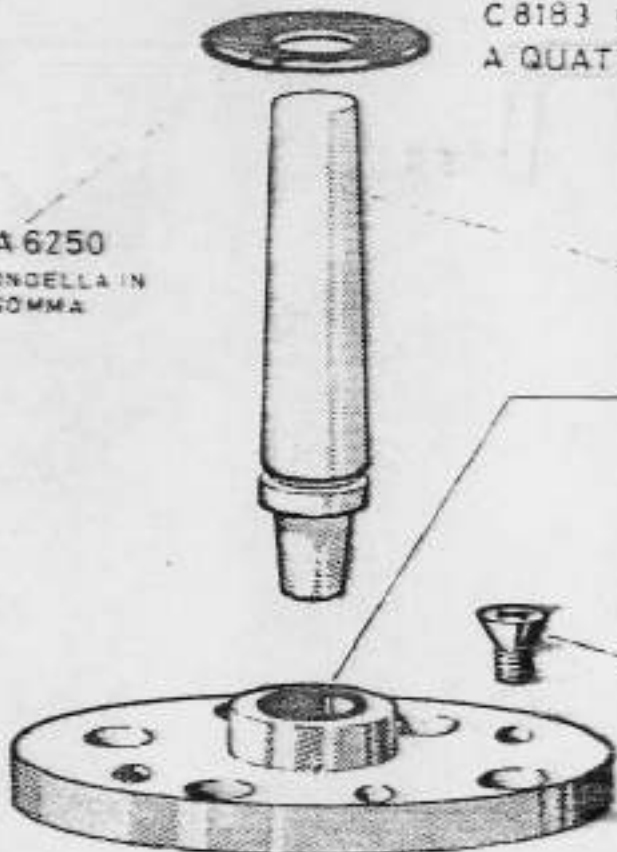
TAV. N° 3
MECHANICAL
PARTS

A 6250
RONDELLA IN
GOMMA

A 6240 LEVA DI COMANDO IN ACCIAIO INOX

B 6176 FLANGIA SUPPORTO DI BASE CON
BOCCOLA IN ACCIAIO

VITE FERROZINC. TS. tcr Ø 4 Mx12



ISTRUZIONI DI
MONTAGGIO



Piastrina da
applicare per
comando a 4 po-
sizioni.

Da togliere per
comando a 8 po-
sizioni.

A 6266 MOLLA CONICA

A 6244 POMELLO IN NYLON COMANDO MICRO

A 6245 TUBINO DISTANZIALE

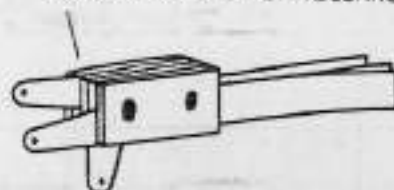
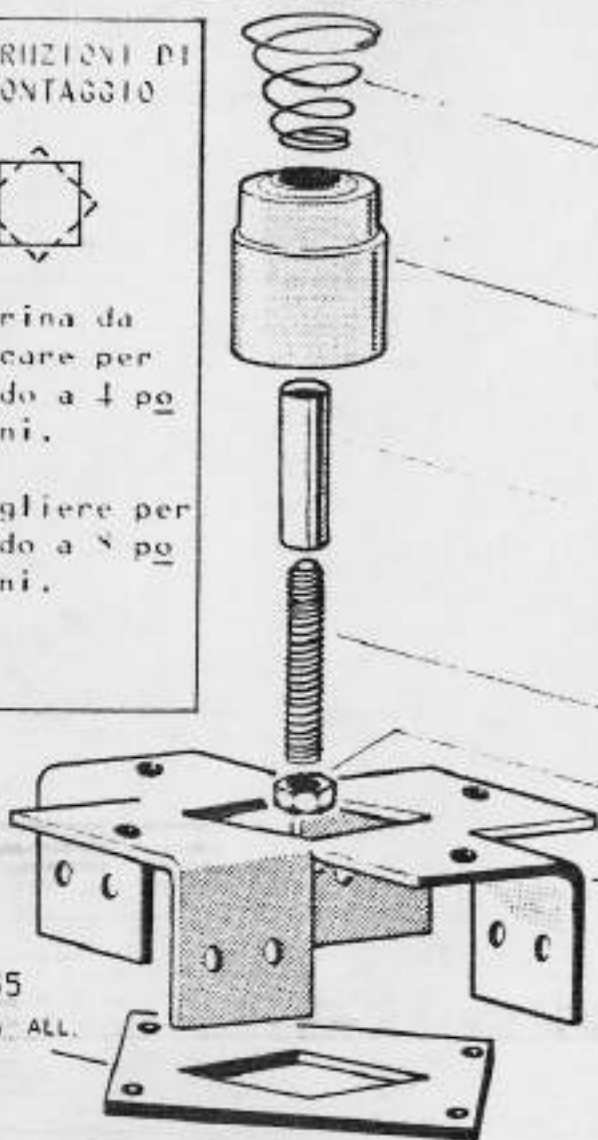
A 4514 TRAFILA SMA X 37

A 4490 DADO AUTOBL. SMA

A 4515 STAFFA FISSAGGIO

B 9017 PACCO LAMELLARE

A 6265
PIASTRINA ALL.



PIASTRINE SERGRAFATE

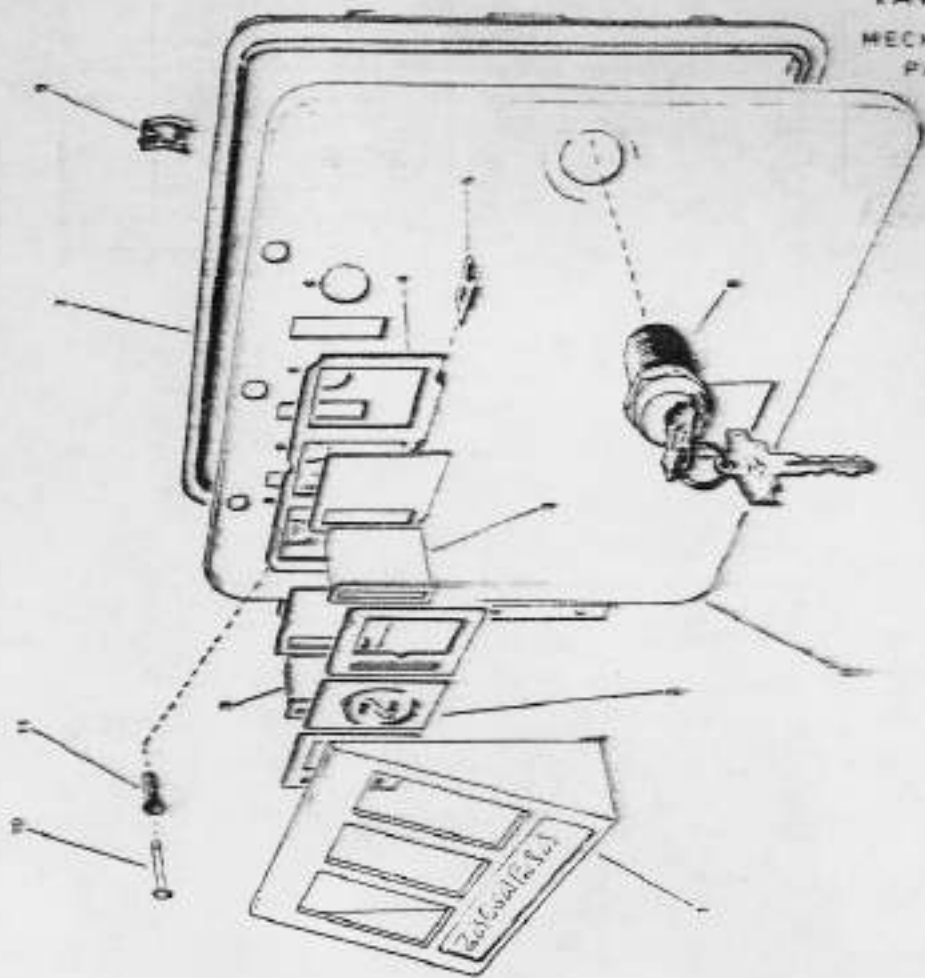
& Introduzioni Monete

<p>AUSTRALIA</p> <p>20 CENTS PLAY</p> <p>p. ser. B 5056 in. m. A 5007</p>	<p>AUSTRIA</p> <p>5 OS</p> <p>p. ser. B 5045 in. m. A 5008</p>	<p>AUSTRIA</p> <p>10 OS</p> <p>p. ser. B 5047 in. m. A 5007</p>	<p>BELGIO</p> <p>5 Frs</p> <p>p. ser. B 5035 in. m. A 5008</p>	<p>BELGIO</p> <p>10 Frs</p> <p>p. ser. B 5034 in. m. A 5007</p>	<p>p. ser. = PIASTRINA serigrafata</p>
<p>DANIMARCA & SVEZIA</p> <p>1 Kr</p> <p>p. ser. B 4074 in. m. A 5007</p>	<p>DANIMARCA & SVEZIA</p> <p>5 Kr</p> <p>3 PLAYS</p> <p>p. ser. B 5065 in. m. A 4401</p>	<p>DANIMARCA & SVEZIA</p> <p>10 Kr</p> <p>7 PLAYS</p> <p>p. ser. B 5066 in. m. A 5007</p>	<p>FRANCIA & SVIZZERA</p> <p>1 Fr</p> <p>p. ser. B 5024 in. m. A 5008</p>	<p>FRANCIA & SVIZZERA</p> <p>2 Fr</p> <p>p. ser. B 5025 in. m. A 5007</p>	<p>5 Fr</p> <p>p. ser. B 5060 in. m. A 4401</p>
<p>GERMANIA</p> <p>1 DM</p> <p>p. ser. B 4059 in. m. A 5008</p>	<p>GERMANIA</p> <p>2 DM</p> <p>p. ser. B 4060 in. m. A 5007</p>	<p>GERMANIA</p> <p>5 DM</p> <p>p. ser. B 4041 in. m. A 5007</p>	<p>GIAPPONE</p> <p>50 ¥</p> <p>17 Lt</p> <p>p. ser. B 5051 in. m. A 4399</p>	<p>GIAPPONE</p> <p>100 ¥</p> <p>27 Lt</p> <p>p. ser. B 5052 in. m. A 4398</p>	<p>in. m. = PIASTRINA introduzione moneta</p>
<p>INGHILTERRA</p> <p>10 P</p> <p>p. ser. B 4062 in. m. A 5007</p>	<p>INGHILTERRA</p> <p>50 P</p> <p>p. ser. B 4091 in. m. A 4401</p>	<p>ITALIA</p> <p>100 LIRE</p> <p>p. ser. B 5001 in. m. A 5007</p>	<p>ITALIA</p> <p>200 LIRE</p> <p>p. ser. B 6136 in. m. A 5242</p>	<p>JUGOSLAVIJA</p> <p>1 DIN</p> <p>p. ser. B 4081 in. m. A 5008</p>	<p>2 DIN</p> <p>p. ser. B 4082 in. m. A 5007</p>
<p>LIBANO</p> <p>25 PL</p> <p>p. ser. B 5054 in. m. A 5006</p>	<p>OLANDA</p> <p>1 G</p> <p>p. ser. B 4085 in. m. A 5008</p>	<p>UNGHERIA</p> <p>2 FORINT</p> <p>p. ser. B 6139 in. m. A 5008</p>	<p>U.S.A. & CANADA</p> <p>25¢</p> <p>p. ser. B 5046 in. m. A 5008</p>	<p>U.S.A. & CANADA</p> <p>50¢</p> <p>p. ser. B 5061 in. m. A 5007</p>	



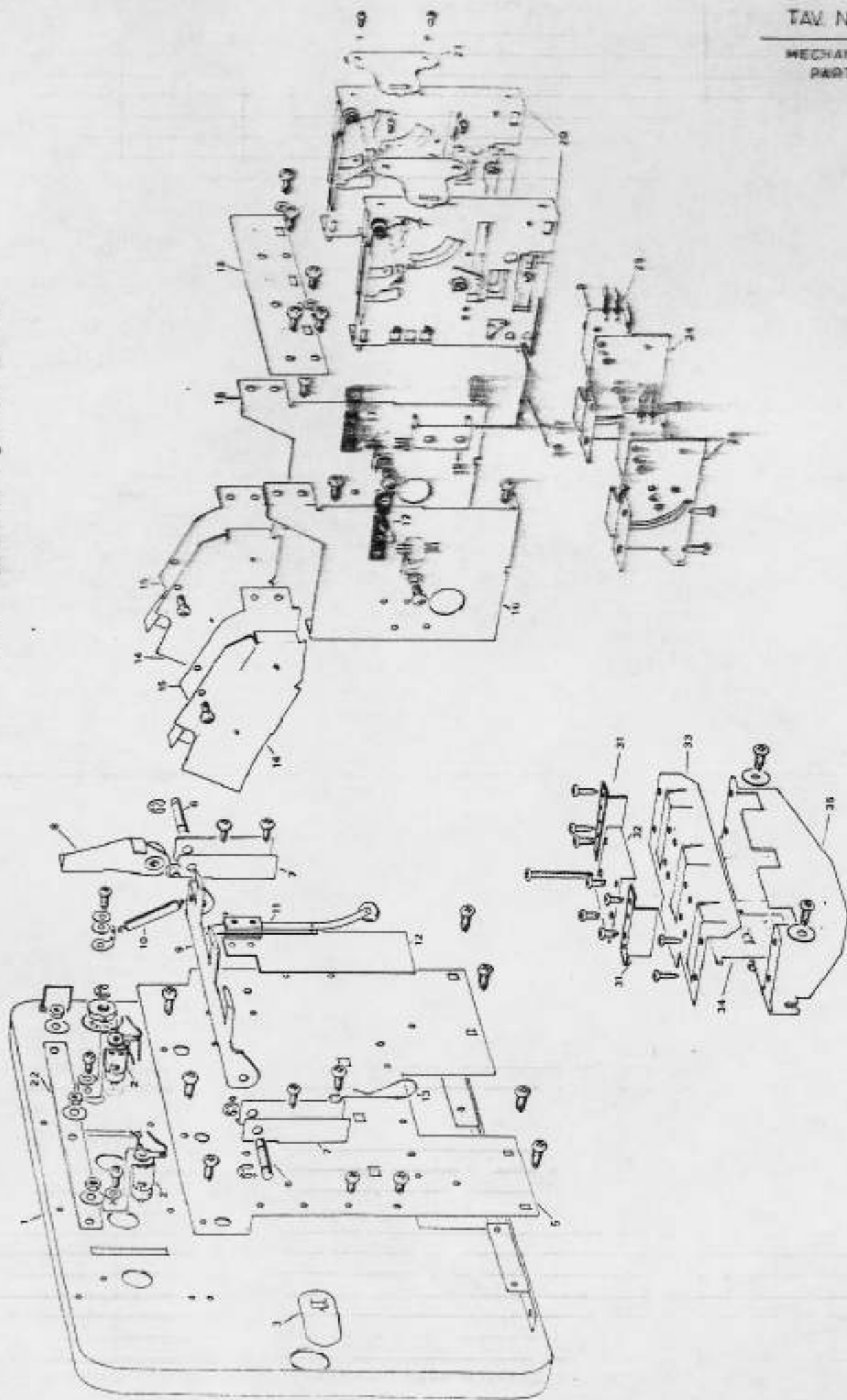
C 8109

SPORTELLLO PORTA
GETTONIERE
ASSEMBLATO



TAV. No 4
MECHANICAL
PARTS

C. 8109 Spettello porta gettoniere assemblato



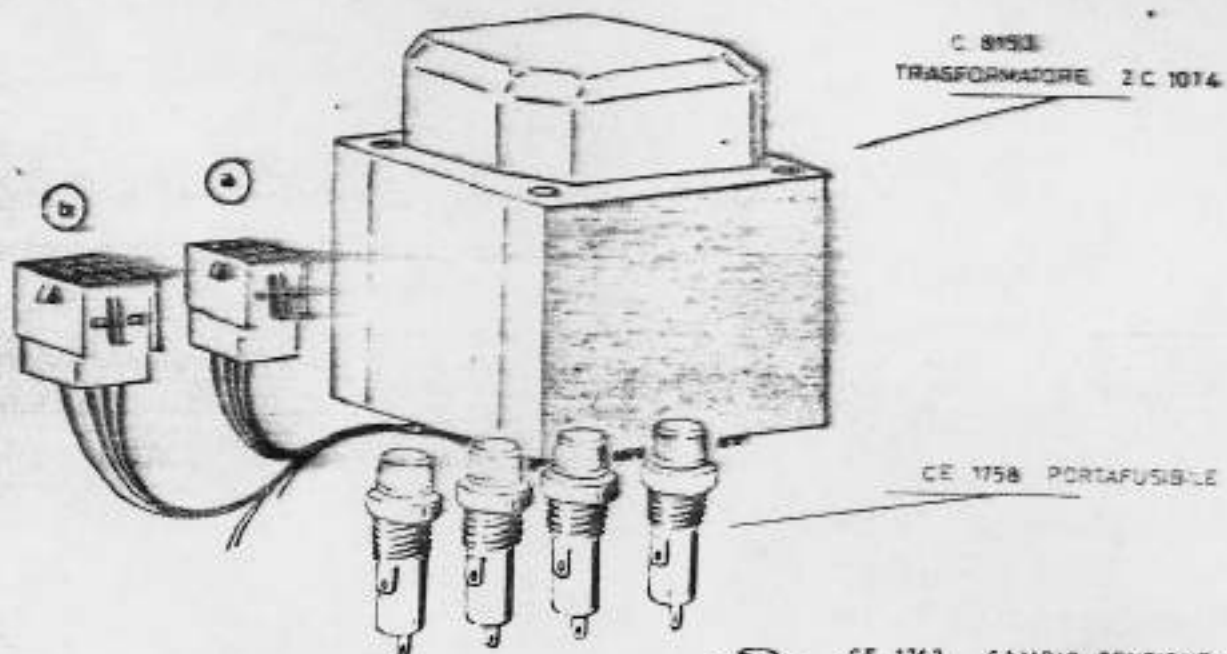
1	A	453	FRONTALINO SPORTELLI CON CERNIERA
2	A	447	PIASTRINA CON MARCHIO
3	A	4304	GUAINA MONETA IN PIASTRA
4	A	4305	COMPONENTE FISSAGGIO ACCESSORI
5	A	4383	PIASTRINA SERRATURA
6	B	7134	SPORTELLI CON CERNIERA
7	A	7236	COMPONENTE IN ALLUMINIO PRESSOFUSO
8	B	7153	SERRATURA
9	A	4460	STAFFA FISSAGGIO CORNICE
10	A	4037	PULSANTE SCARTO MONETA
11	A	4032	COMPONENTE PER PULSANTE

TAV. N° 5

1	B	7194	SPORTELLI CON CERNIERA COMPL. DI ACCESSORI
2	B	5029	PORTA LAMPADA ALTO SPORTELLI
3	A	4328	LEVA PER SERRATURA SPORTELLI INTERIORE
4	A	5003	FERRO BARRA ARRESTO MONETA
5	A	7002	PIASTRA SUPPORTO GETTONIERE
6	A	4005	PERNO PER CAVALLOTTO SPORTELLI
7	A	6001	CAVALLOTTO SPORTELLI
8	B	6001	LEVA CON BOCCELLA
9	A	6002	LEVA DI SCARTO GETTONIERA
10	A	5201	MOLEA RICHIAMO LEVA DI SCARTO
11	B	9015	PACCO LAMELLARE TLF
12	A	5205	CARTONCINO ISOLATORE SPORTELLI
13	A	5021	FERRETTO PORTA CHIAVE SPORTELLI
14	A	7009	SCORRIMONETE MASCHIO
15	A	7008	SCORRIMONETE FEMMINA
16	B	7006	SUPPORTO GETTONIERA
17	A	5252	FORCELLINA FISSAGGIO GETTONIERA
18	A	5014	PIASTRINA ACCOPPIAMENTO SUPP. GETTONIERA
19	A	5015	COMPONENTE PER ASTA ARRESTO MONETA
20	B	7083	GETTONIERA L. 50
"	B	7084	" L. 100
"	B	7175	" L. 200
"	B	7092	" 25 Q
"	B	7096	" 5 F
"	B	7097	" 10 F
"	B	7098	" 5 P
"	B	7099	" 10 P
"	B	7147	" 50 P
"	B	7111	" 0.50 pfg
"	B	7112	" 1 DM
"	B	7113	" 2 DM
"	B	7114	" 5 DM
"	B	7128	" 1 FS
"	B	7129	" 2 FS
"	B	7148	" 10 Fr BELGI
"	B	7233	" 5 DINARI
"	B	7234	" 10 DINARI
21	A	5114	PIASTRINA FISSAGGIO GETTONIERA
22	A	5006	ASTA PER FRONTALINO
23	A	5001	BARRA ARRESTO MONETA
24	B	6109	PIASTRA PORTA MICRO
25	B	5053	MICRO NERO
"	B	5054	MICRO ROSSO
"	B	5055	MICRO BIANCO
31	A	7273	SQUAD UNIDIREZIONALE ANTIFRODE
32	A	5010	SQUAD 4 FORI
33	A	6009	COPERTURA PER RACCOGLITORE MONETE
34	A	5011	CANCELLETTO
35	A	7500	RACCOGLITORE IN LEGA
36	A	5008	FERRETTO ARRESTO MONETA GRANDE
37	A	5013	FERRETTO ARRESTO MONETA PICCOLA

technical

~~parts~~

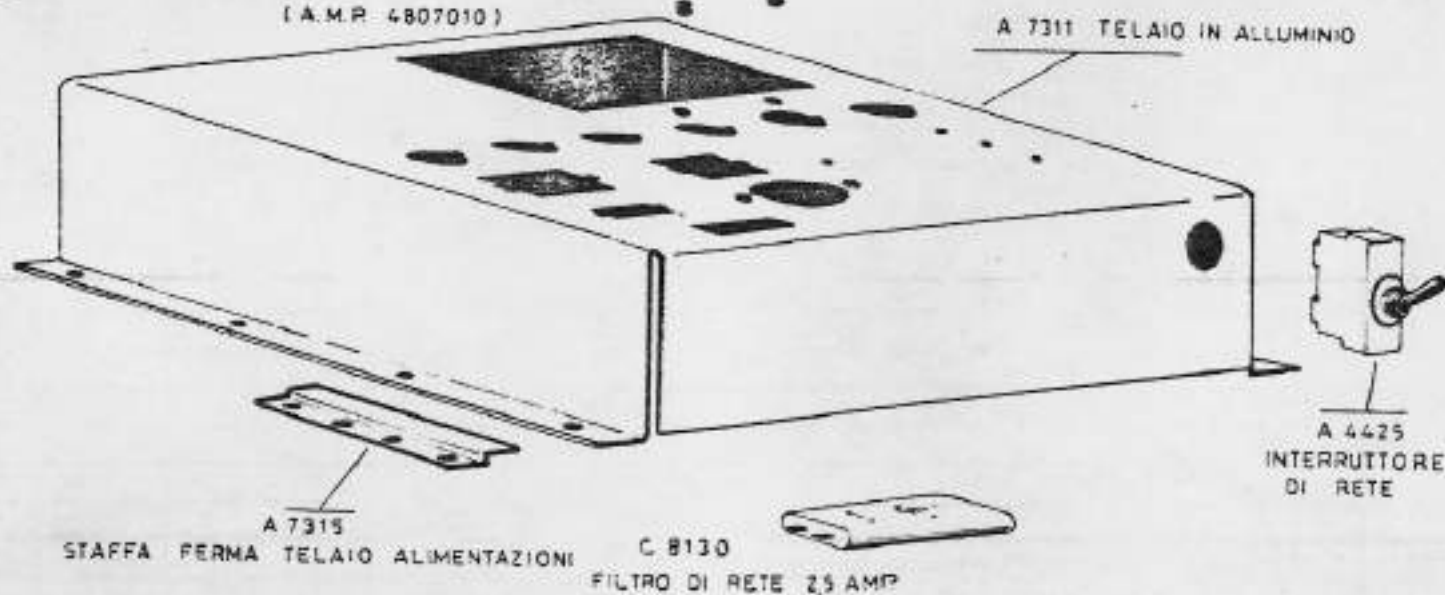


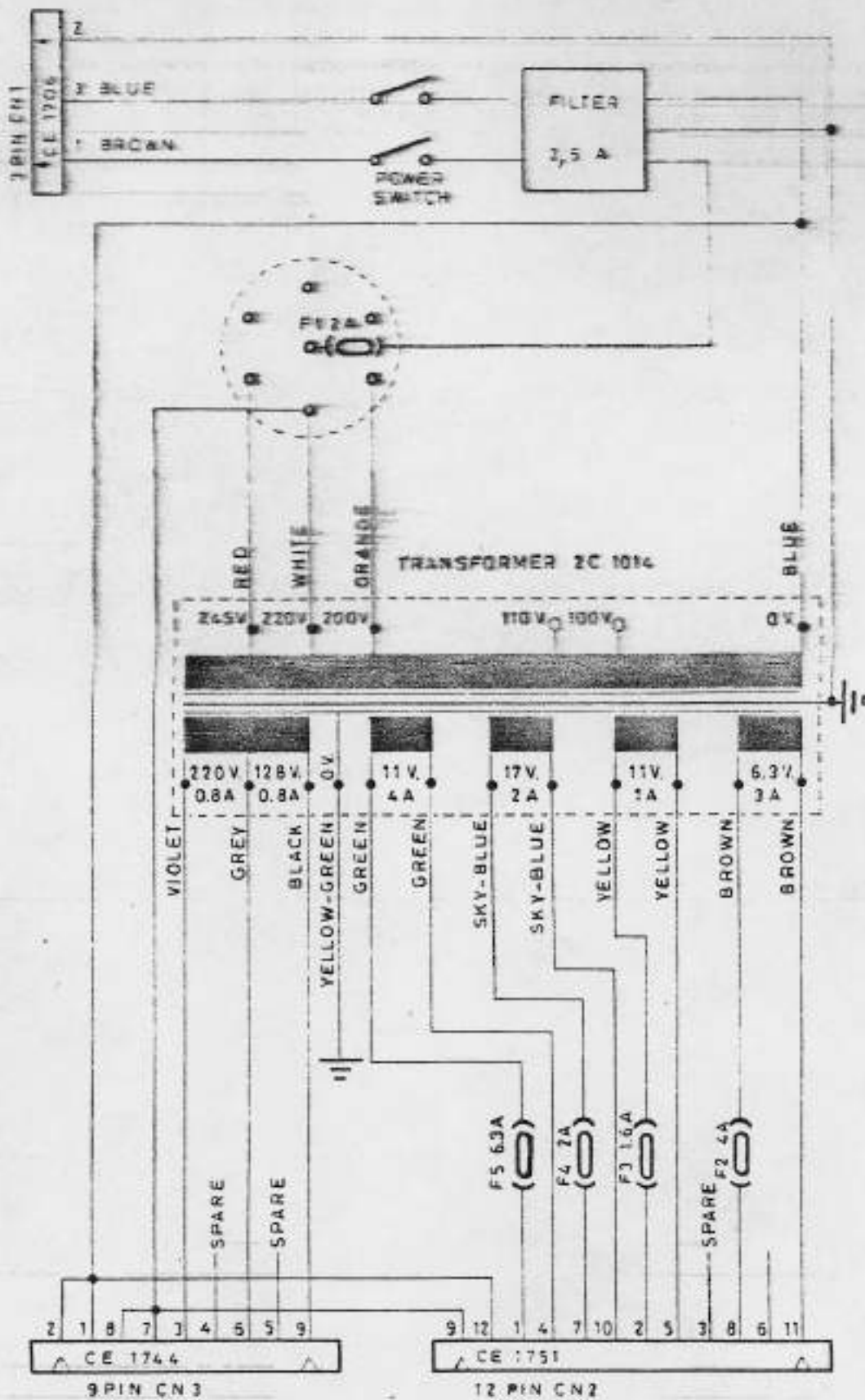
a CE 1744 CONNETTORE A 9 VIE DA PANNELLO
(A.M.P. 4807070)

CE 1763 CAMBIO TENSIONE "CT FH .."
con 100 V.
115 V.
200 V.
220 V.
245 V.

b CE 1751 CONNETTORE A 12 VIE
DA PANNELLO
(A.M.P. 4807090)

c CE 1706 CONNETTORE A 3 VIE DA PANNELLO
(A.M.P. 4807010)

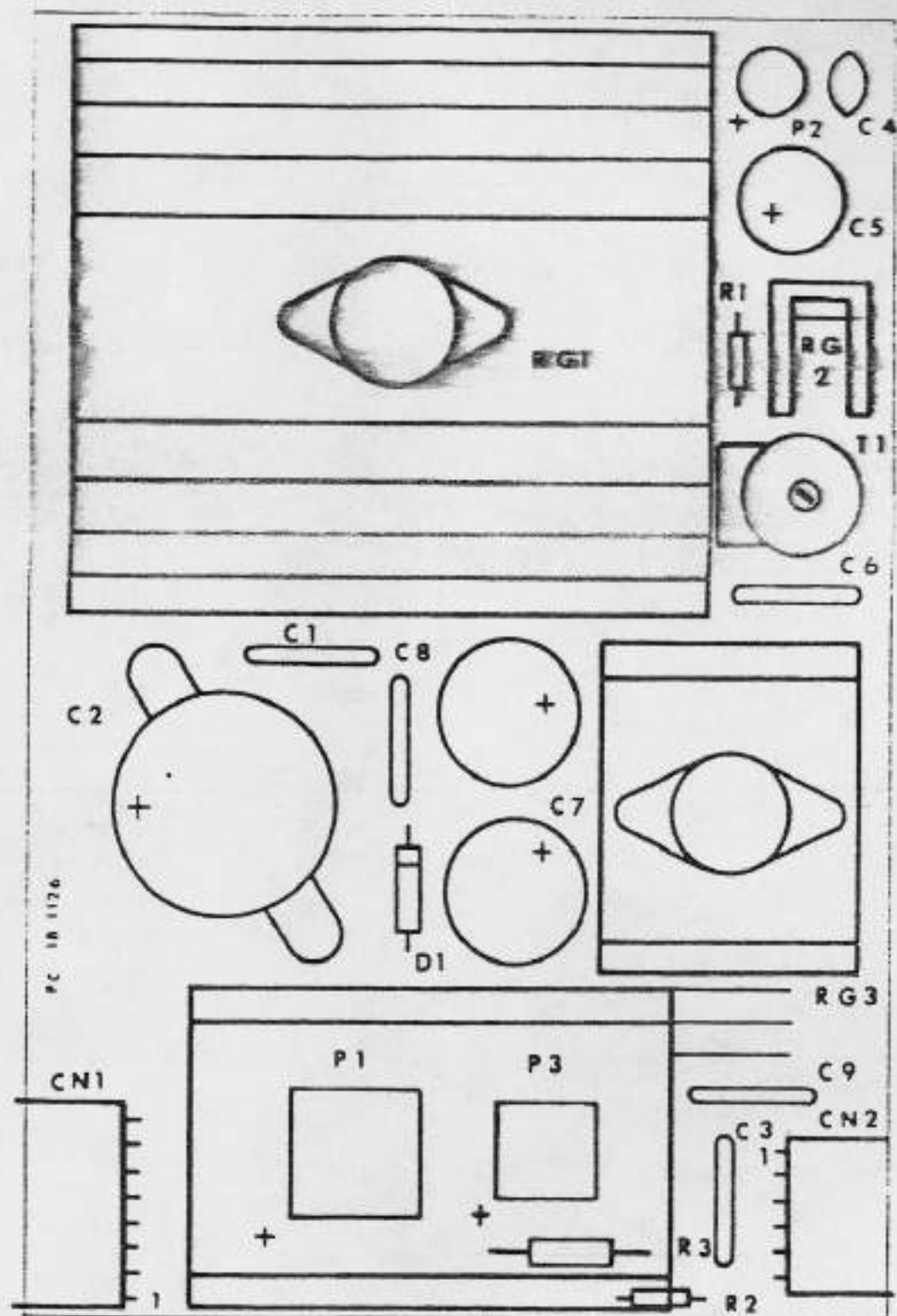


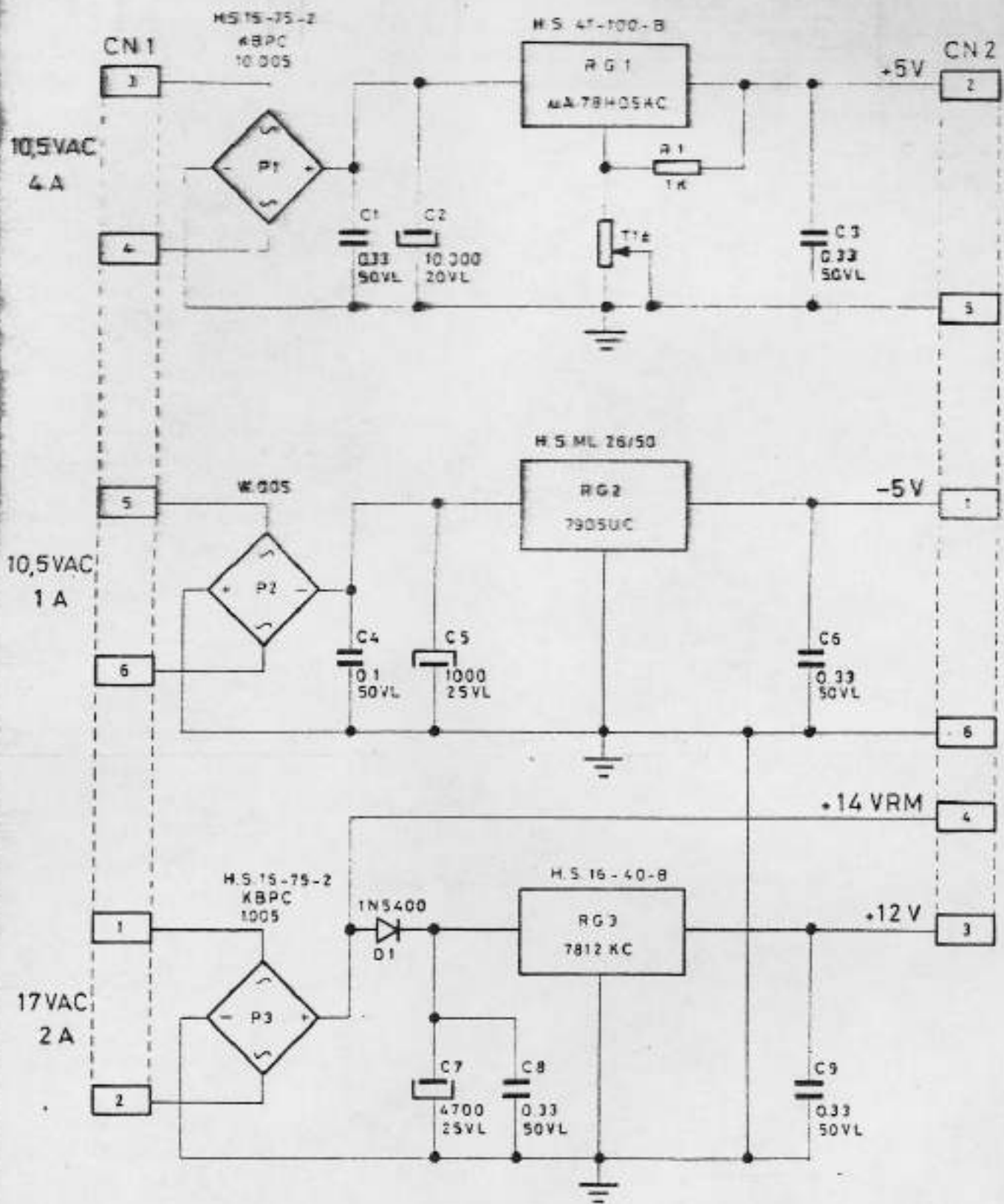


TRASFORMATORE 2C1014
USATO PER MONITOR
HANTAREX MTC 900

Telaio alimentazioni
" CEC 157 "

ITEM No	PART DESIGNATION	CODE PART No	DESCRIPTION	REQD No
1	PC 1	CE 3070	Printed Circuit 13 1116	1
2	PC 1	CE 1405	5V. 10 AMP Rect.Brid.(KBPC 10-05)	1
3	PC 2	CE 1233	50V. 1 AMP Rect.Brid.(1-005)	1
4	PC 3	CE 1276	50V. 3 AMP Rect.Brid.(KBPC 1-003)	1
5	PC 1	CE 1238	+5V. 3 AMP Voltage Regulator (DA 7905 KC)	1
6	PC 2	CE 1648	-5V. 1 AMP Voltage Regulator (DA 7905 UC)	1
7	PC 3	CE 1688	+12V. 1 AMP Voltage Regulator (DA 7812 KC)	1
8	PC 1	CE 1299	1N 5400 Diode	1
9	PC 2	CE 1332	6 Pin Noda 1 Male Connector	1
10	PC 1	CE 1361	8 Pin Noda 1 Male Connector	1
11	HS 1	CE 1566	Heat Sink 16/75/2	1
12	HS 2	CE 1278	Heat Sink 41/100/B	1
13	HS 3	CE 1099	Heat Sink JI 25/50 20-220	1
14	HS 4	CE 1529	Heat Sink 16/40/B	1
15	C 1-3-6-8-9	CE 1261	0.33 MF 50V. Polies.film Capac.	5
16	C 2	CE 1384	10.000MF 16V. Electr.Cap.Sin. Ended	1
17	C 4	CE 1005	0.1MF 50V. Ceramic Capacitor	1
18	C 5	CE 1026	1.000MF 25V. Elec.Cap.Sin.Ind.	1
19	C 7	CE 1573	2.200MF 25V. Elec.Cap.Sin.Ind.	2
20	R 1	CE 1170	1 KOHM 1/4W. 5% Carbon Resistor	1
21	T 1		47 OHM 1 Turn Vertical Trimmer (Commonly mounted 22 OHM 1/4W. 5% Carbon Resistor)	1



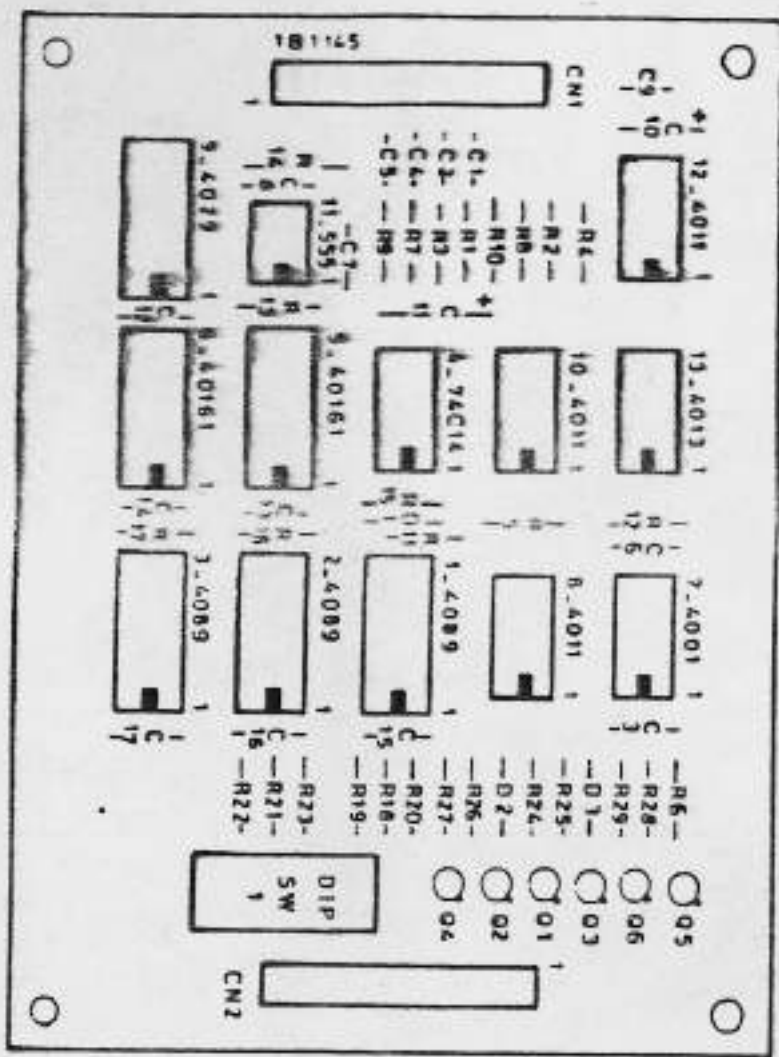


4. 47 μ F TRIMMER or 22 μ F 1/4W 5% RESISTOR

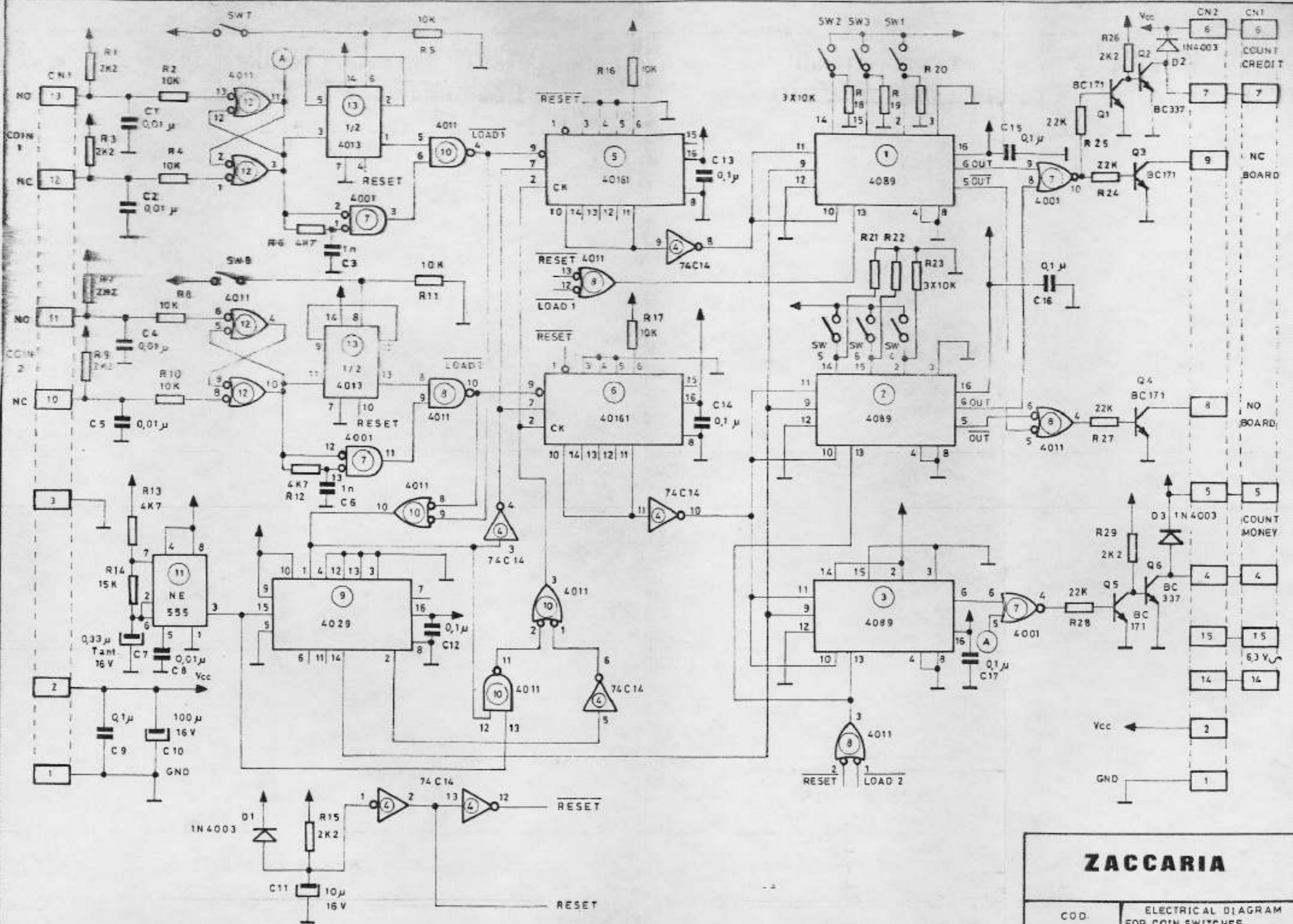
F.LLI ZACCARIA s.n.c.
 via Ansaldo 15 40112 CALDERARA DI RENO (BO) ITALY

POWER BOARD 1B1126 (CEC110)	1B1326-F
REV. 2	REV. 1
30 3 85	- 1 -
4F	

Coin switches adjustments board 1B1145
CEC 069



ITEM No	PART DESIGNATION	CODE PART No	DESCRIPTION	REQD No
1	PCB 13 1113	CE 2170	Printed Circuit Board 13 1113	1
2	CE 1-2	CE 154	15 Pin D-sub Female Connectors	2
3	IC 7	CE 1-14	1001 B C-Mos-Ic	1
4	IC 9-10-11	CE 1016	1011 B C-Mos-Ic	3
5	IC 12	CE 1745	1013 B C-Mos-Ic	1
6	IC 3	CE 1737	1029 B C-Mos-Ic	1
7	IC 1-2-1	CE 1746	1089 B C-Mos-Ic	3
8	IC 5-6	CE 1710	10161B C-Mos-Ic	2
9	IC 4	CE 1735	71014 C-Mos-Ic	1
10	1p Sw. 1	CE 1480	1p Switch 8 vie	1
11	Q 6-2	CE 1290	BC 337 NPN Transistors	2
12	Q 5-1-7-1	CE 1030	BC 171 NPN Transistor	4
13	C 10	CE 1162	100 MF 16VL. Eleltr. Cap. Assiale	1
14	C 7	CE 1613	0.33MF 16VL. Tantalum Cap.	1
15	IC 11	CE 1031	NE 555 Mos Ic	1
16	C 9-12-13-14-15-16-17	CE 1005	0.1 MF Ceramic Capacitor	7
17	C 11	CE 1100	10 MF 16VL. Eleltr. Cap. Assiale	1
18	C 1-2-4-5-8	CE 1029	10 Kof 50VL. Ceramic Cap.	5
19	C 3-6	CE 1159	1 Kof 50VL. Ceramic Cap.	2
20	D 1-2-3	CE 1539	1N 4003 Diodes	3
21	R 24-25-27-28	CE 1194	22K OHM 1/4W. 5% Carbon Resistor	4
22	R 14	CE 1195	15K OHM 1/4W. 5% Carbon Resistor	1
23	R 2-4-5-8-10-11-16-17-18-19-20-21-22-23	CE 1171	10K OHM 1/4W. 5% Carbon Resistor	14
24	R 13-6-12	CE 1165	4.7K OHM 1/4W. 5% Carbon Resis.	3
25	R 1-3-7-9-26-29-15	CE 1164	2.2K OHM 1/4W. 5% Carbon Resis.	7



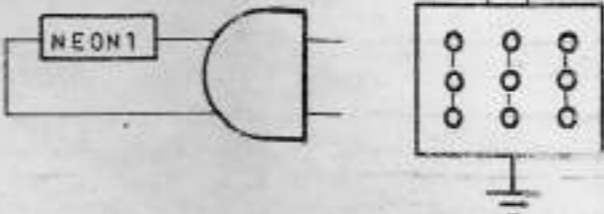
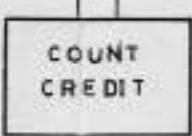
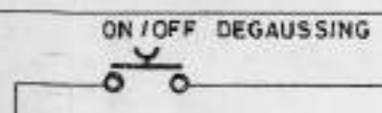
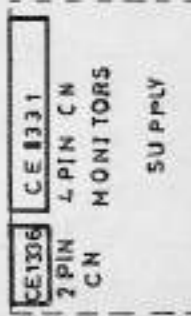
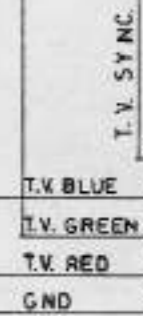
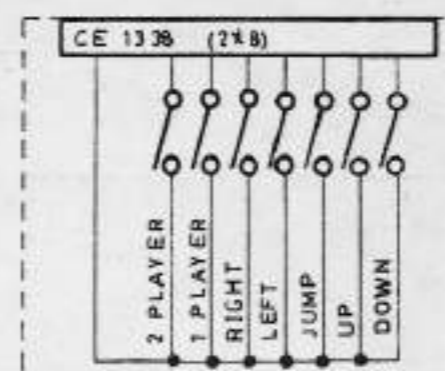
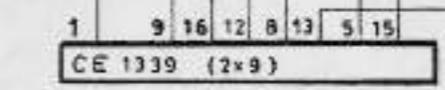
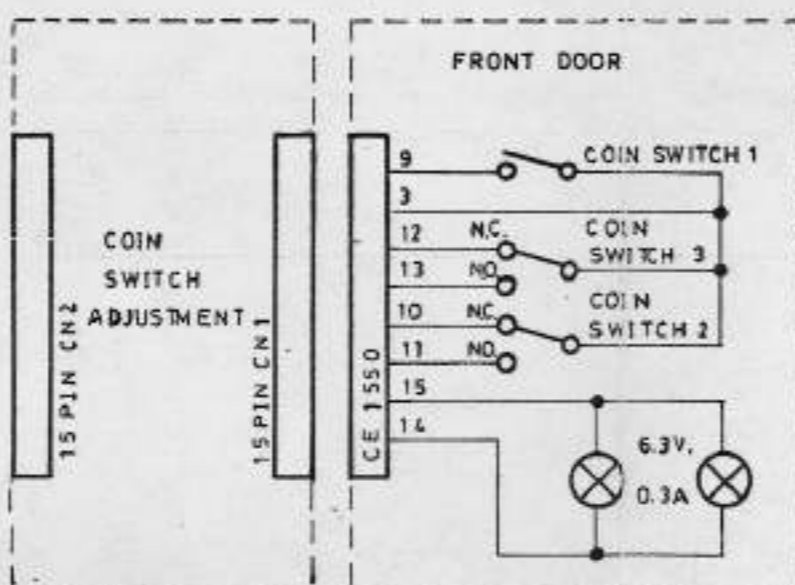
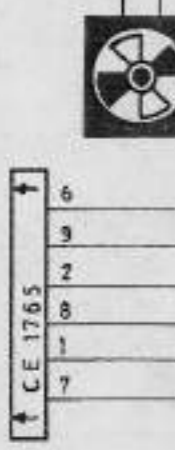
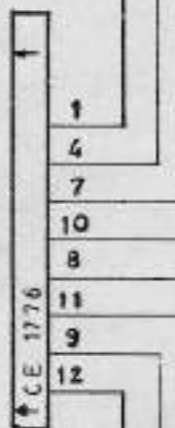
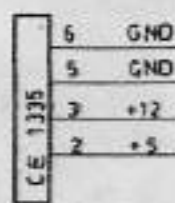
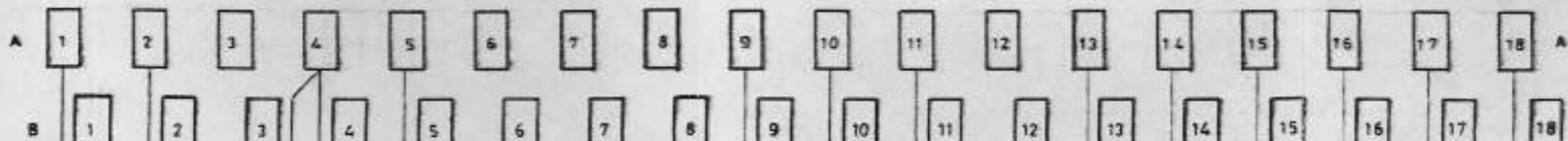
ZACCARIA

COD. 18 1345	ELECTRICAL DIAGRAM FOR COIN SWITCHES ADJUSTMENT BOARD 18 1145
-----------------	---

C.P.U. BOARD

B1 + B18 Components side CN 18x2

A1 + A18 Soldering side CE 1094



F.LLI ZACCARIA s.n.c.
 Via Armatol, 15 - 40012 CALDERARA DI RENO (BO) (RAV)

PART NAME: Wiring diagram for "CRAZY KONG" PART NO.:

DATE: REV: DATE REV: SHEET:

NOTE: UNLESS OTHERWISE SPECIFIED ALL DIMENSIONS ARE IN MILLIMETERS UNLESS OTHERWISE SPECIFIED