



CRAZY CLIMBER

CRAZY CLIMBER-UPRIGHT

TABLE OF CONTENTS

1. CRAZY CLIMBER GAME SET-UP

- A. Introduction
- B. Game Inspection
- C. Game Installation
- D. Dip Switch & Volume Control Settings

2. MAINTENANCE

- A. Cleaning
- B. Fuse Replacement
- C. Video Monitor Removal
- D. Video Monitor Adjustments
- E. Fluorescent Bulb Replacement
- F. Printed Circuit Board Replacement

3. ILLUSTRATIONS AND PART LISTS

- Figure 1 Video and Cabinet Assembly
- Figure 2 Coin Mechanisms and Front Door
- Figure 3 Switching Regulator & Cabinet Parts
- Figure 4 8-Way Joystick Assembly
- Figure 5 Control Panel
- Figure 6 CPU Board "A" & Component List
- Figure 7 CPU Board "B" & Component List
- Figure 8 Option Switch & Volume Control Locations
- Figure 9 Wiring Diagram
- Figure 10 PCB Board "A" Schematic (FOLD OUT)
- Figure 11 PCB Board "B" Schematic (FOLD OUT)

CLEANING

The exterior of the game, all metal parts and all plastic parts can be cleaned with a non-abrasive cleanser. Caution should be used when cleaning the plastic, a dry cloth can cause scratches and result in a foggy appearance.

FUSE REPLACEMENT

This game uses six fuses, 5 are located on the Switching Regulator. See Figure 3 for size and part number of fuses. One fuse is located on the Power Supply itself.

VIDEO MONITOR REMOVAL

If you need to remove the video monitor, follow the instructions listed below:

CAUTION

It is recommended the game be left disconnected for at least one hour before removing the video monitor. This will probably discharge the video tube but extreme caution is still necessary.

- * Remove power from line voltage.
- * Disconnect the monitor and cable connector.
- * Remove wire cable clamp.
- * Take out the two side bolts, one on each side of the cabinet.
- * Lower the monitor to rest on the lower set of wood supports.
- * Remove the four mounting bolts and disconnect the green ground wire.
- * Slide the monitor out by pulling the monitor towards you.

CAUTION

Use extreme caution and do not touch electrical parts of the monitor yoke area with your hands or with any metal object in your hands! High voltages may exist in any monitor, even with power disconnected.

VIDEO MONITOR ADJUSTMENTS

The Video Monitor is factory adjusted. If there is a need for readjustments after the game has been shipped please refer to the manufacturers operating manual.

FLUORESCENT TUBE REPLACEMENT

CAUTION

If you drop a fluorescent tube and it breaks it will explode!
Please use care when replacing.

To replace the fluorescent bulb the control panel must be removed. With both hands turn the bulb toward you and carefully pull out of the lamp socket.

PRINTED CIRCUIT BOARD REPLACEMENT

You may wish to remove the CRAZY CLIMBER printed circuit boards for replacement or service. Follow the procedure below.

To remove the "A" Board (08-00005-002) and/or the "B" Board (08-00005-003) slide the double layered board set out of the guides.

WARNING

This equipment generates, uses, and can radiate radio frequency energy and if not installed and used in accordance with the instruction manual, may cause interference to radio communications. As temporarily permitted by regulation it has not been tested for compliance pursuant to Subpart J of Part 15 of FCC Rules, which are designed to provide reasonable protection against such interference. Operation of this equipment in a residential area is likely to cause interference in which case the user at his own expense will be required to take whatever measures may be required to correct the interference.

VIDEO AND CABINET ASSEMBLY

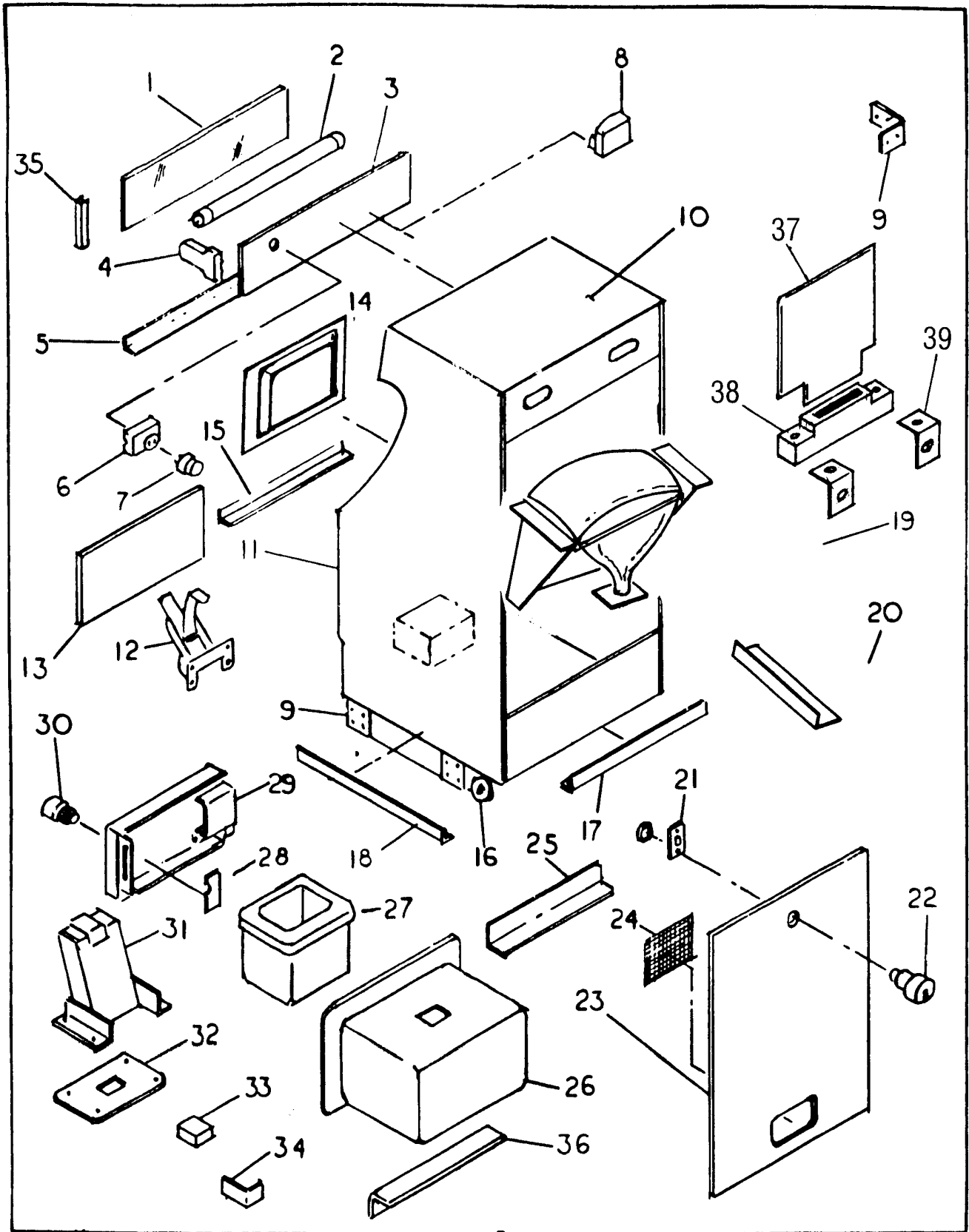
FIGURE 1

| ITEM | TAITO PART NO. | DESCRIPTION | REFERENCE |
|------|------------------------------|--------------------------------|-----------|
| 1 | 47-00001-001 | Screened Acrylic Marquee Panel | 400073 |
| 2 | 27-00001-001 | Fluorescent Tube, Std., 15W | AA054711 |
| 3 | 42B-00057-001 | Fluorescent Lamp Panel | 140006 |
| 4 | 26-00004-001 | Lamp Socket (Holder) | 113000 |
| 5 | 61C-00007-001 | Glass Stop Bracket | 500024 |
| 6 | 26-00005-001 | Starter Socket | 114001 |
| 7 | 29-00003-001 | Starter | 114000 |
| 8 | 18-00002-002 | Ballast Transformer | 010006 |
| 9 | 61B-00011-001 | "L" Bracket | AA013584 |
| 10 | 04-00008-001 | Cabinet Assembly | 860007 |
| 11 | 63B-00006-001 | T Molding, Chrome | 400007 |
| 12 | 59-00008-001 | Clamp Fastener | 390002 |
| 13 | 47D-00002-001 | Cover Glass Assembly | 148011 |
| 14 | 63C-00003-001 | Monitor Shroud | 400005 |
| 15 | 61C-00016-001 | Glass Retaining Bracket | 500022 |
| 16 | 44C-00001-001 | Caster | 520000 |
| 17 | 63B-00005-002 | L Molding, Black, 22½" Long | 400031-A |
| 18 | 63B-00005-003 | L Molding, Black, 33¾" Long | 400031-B |
| 19 | 31-00001-001 31-00001-002 | Monitor, 19" Color | 840017 |
| 20 | 61C-00004-001 | Video Mounting Bracket | 500026 |
| 21 | 45-00001-001 | Anchor Plate | 600005-C |
| 22 | 45-00001-001 | Service Lock & Key | 600005 |
| 23 | 41C-00035-001 | Cabinet Back | 143003 |
| 24 | 61B-00027-001 | Ventilator Screen | EP030010 |
| 25 | 500086 | Bracket Top | AA013580 |
| 26 | 500088 | Cash Case | AA028507 |
| 27 | 400050 | Cash Box | AA028506 |
| 28 | 600007 | Lock Plate | AA013583 |
| 29 | 500089 | Cash Box Door | AA026512 |
| 30 | 600006 | Lock (Cash Box) & Key | AA016545 |
| 31 | 500060 | Coin Funnel | AA025510 |
| 32 | 500062 | Coin Funnel Plate | AA013690 |
| 33 | 115000 | Counter, 6V DC | AA051717 |
| 34 | 500091 | Counter Bracket | AA013608 |
| 35 | 63B-00006-004 | U Channel Black | 400025 |
| 36 | 500087 | Bracket Bottom | 50087 |
| 37 | 800011 | Counter Drive Credit Board | AAM50012 |
| 38 | 800011 | 10 Position Edge Connector | AAM50012 |
| 39 | 500035 | Credit Board Bracket | |
| *40 | 08-00005-002 | PCB "A" | |
| *41 | 08-00005-003 | PCB "B" | |

*Not Shown on Figure 1

VIDEO AND CABINET ASSEMBLY

FIGURE 1



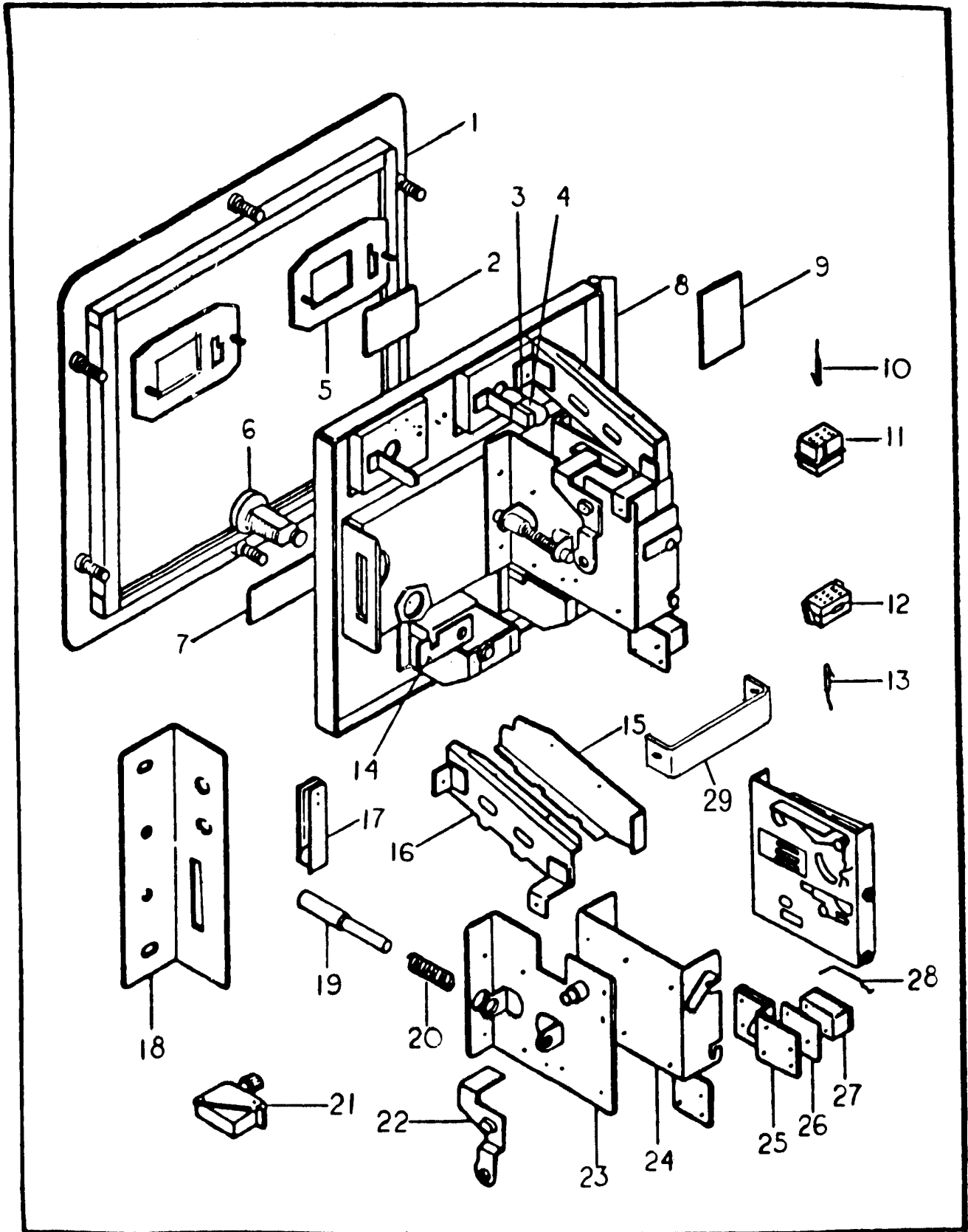
COIN MECHANISM AND FRONT DOOR ASSEMBLY

FIGURE 2

| ITEM | TAITO PART NO. | DESCRIPTION | REFERENCE |
|------|----------------|-----------------------------|-----------|
| 1 | 500010 | Door Frame | AA026510 |
| 2 | 400047 | Price Card U.S. 25¢ | AA029512 |
| 3 | 110000 | Pilot Lamp, 12V, 150Ma. | AA054704 |
| 4 | 113001 | Vinyl Socket | AA055698 |
| 5 | 500124 | Coin Entry Plate for 25¢ | |
| 6 | 500021 | Service Lock & Key No. 7900 | AA016558 |
| 7 | 120017 | Taito Name Tag | |
| 8 | 500009 | Coin Rejector Door | AA026511 |
| 9 | 50021-E | Cover Plate | AA019522 |
| 10 | 104000 | Mate-N-Loc Pin A | AA055789 |
| 11 | 103007 | Mate-N-Loc Housing 9P | AA055581 |
| 12 | 103008 | Mate-N-Loc Housing 9P | AA055582 |
| 13 | 104001 | Mate-N-Loc Pin 1B | AA055790 |
| 14 | 500021-1 | Lock Plate | AA013578 |
| 15 | 500021-G | Coin Guide (B) | AA025508 |
| 16 | 500021-H | Coin Guide (A) | AA025507 |
| 17 | 500021-J | Tilt Switch | AA068717 |
| 18 | 500058 | Lock Guard | AA013577 |
| 19 | 500021-K | Rejector Button | AA027504 |
| 20 | 500021-L | Spring Cancel Holder | AA015504 |
| 21 | 020501 | Service Switch | AA052531 |
| 22 | 500021-M | Cancel Lever | AA013557 |
| 23 | 500021-N | Rejector Bracket | AA013554 |
| 24 | 500021-P | Rejector Holder | AA023501 |
| 25 | 500054 | Coin Guide | |
| 26 | 199005 | Insulator | AA019502 |
| 27 | 020502 | Micro Switch | AA052512 |
| 28 | 370002 | Actuator | AA053501 |
| 29 | 500021-R | Rejector Lever Connector | |

COIN MECHANISM AND FRONT DOOR ASSEMBLY

FIGURE 2



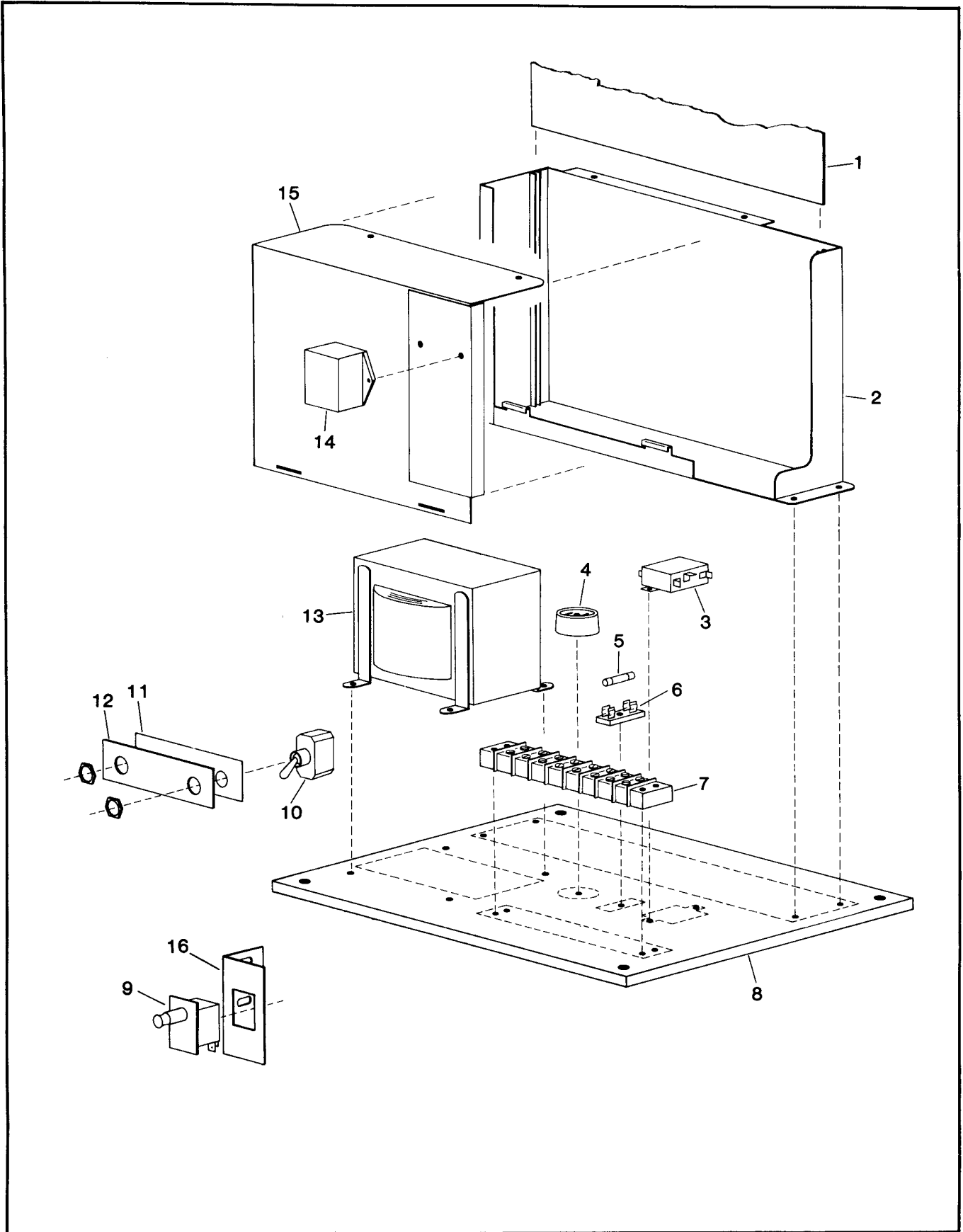
SWITCHING REGULATOR & CABINET PARTS

FIGURE 3

| ITEM | TAITO PART NO. | DESCRIPTION | REFERENCE |
|------|----------------|-----------------------------------|-----------|
| 1 | 800010 | Switching Regulator PCB Assembly | AA055720 |
| 2 | 998702 | Shield Box | AA013613 |
| 3 | 22B-00001-001 | Power Line Filter | |
| 4 | 26-00003-001 | Service Outlet | |
| 5 | 24-00002-002 | Fuse, 1.5 AMP, 3AG, Slo-Blo, 250V | |
| 5A | 24-00002-001 | Fuse, 3AMP, 3 AG, Slo-Blo, 250V | |
| 6 | 24-00001-001 | Fuse Holder | |
| 7 | 35-00001-001 | Barrier Strip, 8 Position | |
| 8 | 42-00034-001 | Power Board | |
| 9 | 61-00030-001 | Switch, Interlock | |
| 10 | 29-00004-001 | Toggle Power Switch | |
| 11 | 35B-00002-001 | Insulating Shield | |
| 12 | 18A-00001-001 | Isolation Transformer | |
| 13 | 998962 | Noise Filter | AAT61017 |
| 14 | 998703 | Shield Cover | |
| 15 | 61B00003-001 | Bracket Interlock Switch | |

SWITCHING REGULATOR & CABINET PARTS

FIGURE 3



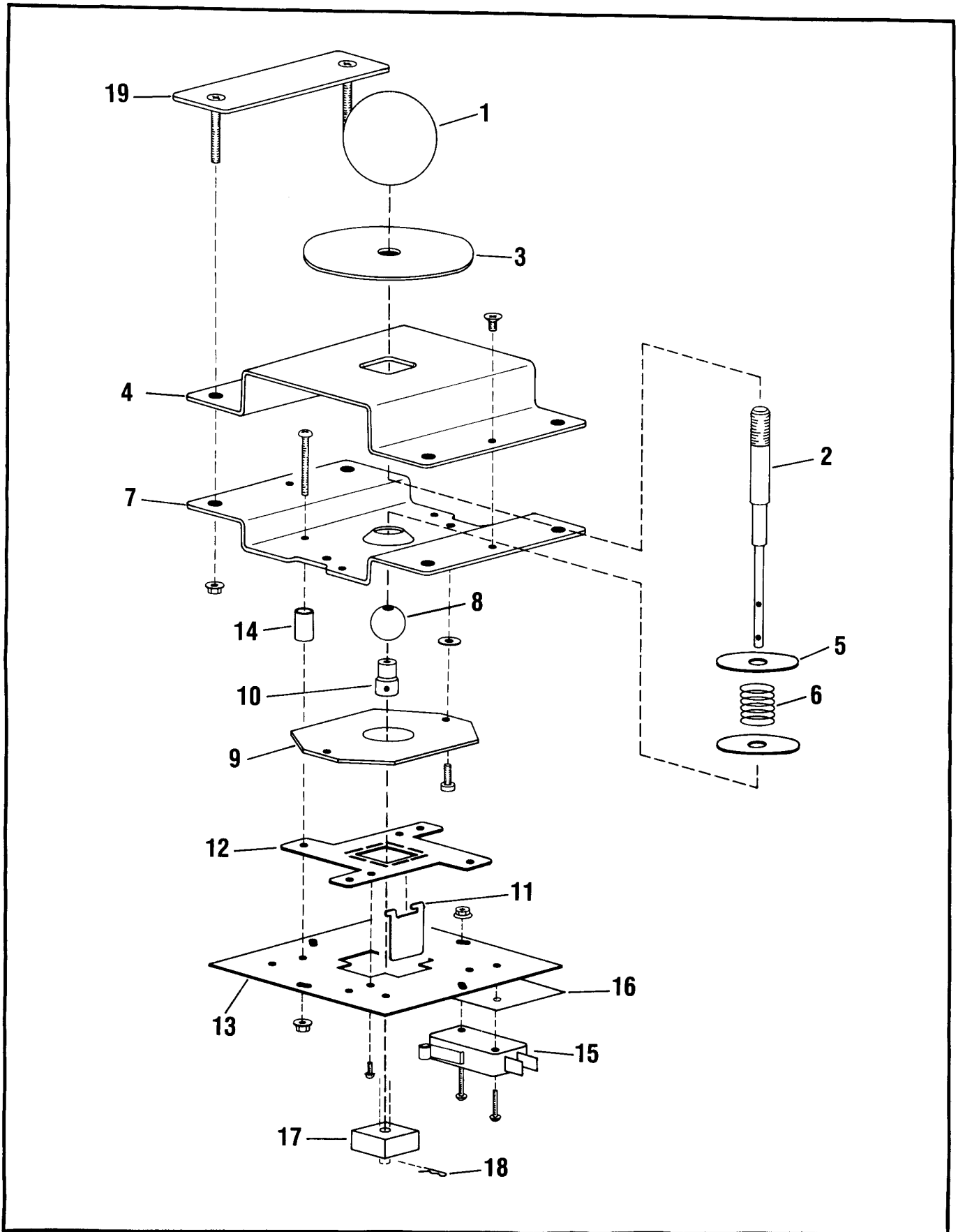
8-WAY JOYSTICK ASSEMBLY

FIGURE 4

| ITEM | TAITO PART NO. | DESCRIPTION | REFERENCE |
|------|----------------|---------------------|-----------|
| 1 | 400026 | Color Ball | BP090003 |
| 2 | 500153 | Control Lever | UW020001 |
| 3 | 400030 | Mask | RT090009 |
| 4 | 500154 | Joystick "Base" | RF030002 |
| 5 | 390041 | Plain Washer | AAL61027 |
| 6 | 370007 | Spring | RF060001 |
| 7 | 500155 | Joystick "Base" | RF030003 |
| 8 | 500156 | Center Ball | RF020005 |
| 9 | 500157 | Center Ball Cover | RF030004 |
| 10 | 500158 | Collar | RF020002 |
| 11 | 500159 | Actuator Push Plate | RF030007 |
| 12 | 500160 | Push Plate Guide | RF030005 |
| 13 | 500161 | M.S. Base | RF030001 |
| 14 | 390042 | Spacer | RF020003 |
| 15 | 020503 | Micro Switch | AA052532 |
| 16 | 199010 | Insulator V Type | AA019504 |
| 17 | 500162 | Block | RF020006 |
| 18 | 390043 | Snap Pin | |
| 19 | 500163 | Lock Plate | RF030006 |

8-WAY JOYSTICK ASSEMBLY

FIGURE 4



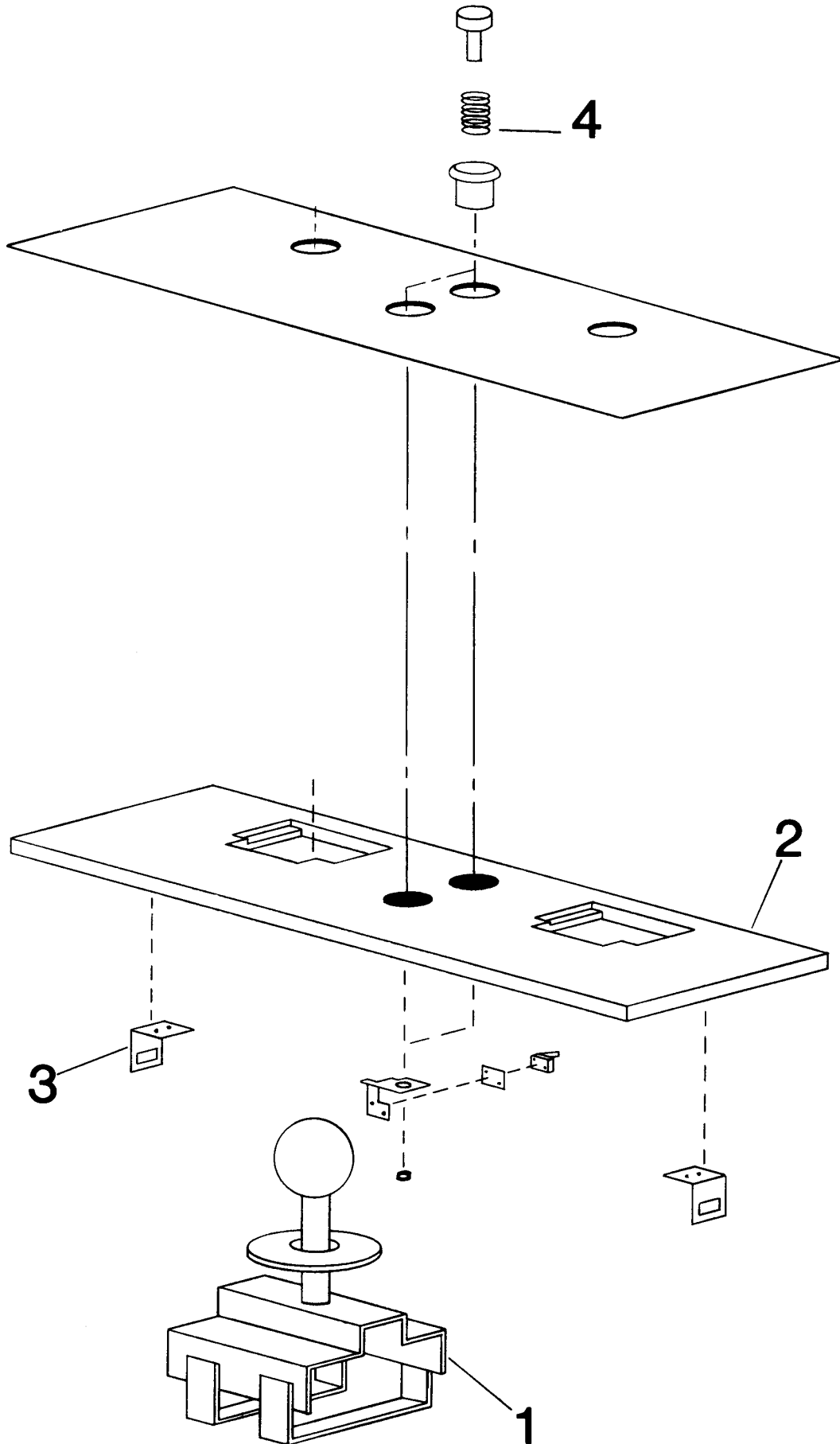
CONTROL PANEL ASSEMBLY

FIGURE 5

| ITEM | TAITO PART NO. | DESCRIPTION | REFERENCE |
|------|----------------|------------------------------|-----------|
| 1 | 850042 | Joystick Assembly (8-way) | UWK00005 |
| 2 | 42D00033-001 | Control Panel (Wood) | |
| 3 | 61A00015-001 | Strike Hook | |
| 4 | 850003 | Push Button Assembly (White) | |

CONTROL PANEL ASSEMBLY

FIGURE 5



CPU BOARD "A" & COMPONENT LIST

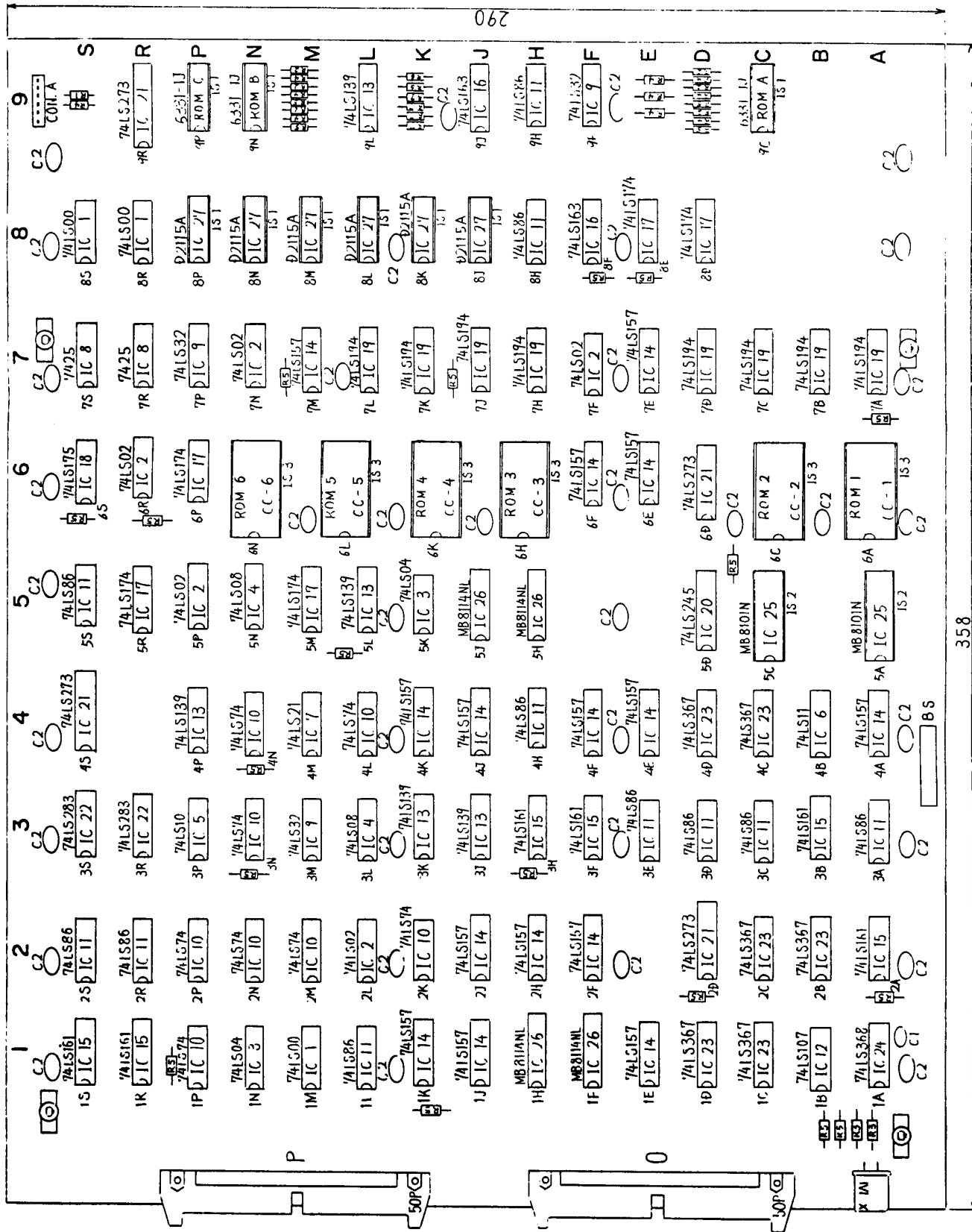
FIGURE 6

| ITEM | TAITO PART NO. | DESCRIPTION | REFERENCE |
|------|----------------|------------------------|-----------|
| 1 | 79-00013-001 | PCB Sticker | AAO 55786 |
| 2 | 26-00001-022 | IS2 - IC Socket 22P | AAO 55999 |
| 3 | 26-00001-024 | IS3 - IC Socket 24P | AAO 55787 |
| 4 | 25-00021-001 | 50P Angle Pin Header | AAO 55154 |
| 5 | 25-00004-001 | PCB Conn. PCN364J040AG | |
| 6 | 19-00003-001 | XIN X-Tal 18,432 Mhz | AAO 69590 |
| 7 | 15-20000-001 | IC 1 LS IC 74LS00 | AAO 33001 |
| 8 | 15-20002-001 | IC 2 LS IC 74LS02 | AAO 33003 |
| 9 | 15-20004-001 | IC 3 LS IC 74LS04 | AAO 33005 |
| 10 | 15-20008-001 | IC 4 LS IC 74LS08 | AAO 33009 |
| 11 | 15-20010-001 | IC 5 LS IC 74LS10 | AAO 33011 |
| 12 | 15-20011-001 | IC 6 LS IC 74LS11 | AAO 33012 |
| 13 | 15-20021-001 | IC 7 LS IC 74LS21 | AAO 33021 |
| 14 | 15-30025-001 | IC 8 TTL IC 7425 | AAO 32006 |
| 15 | 15-20032-001 | IC 9 LS IC 74LS32 | AAO 33027 |
| 16 | 15-20074-001 | IC10 LS IC 74LS74 | AAT 33051 |
| 17 | 15-20086-001 | IC11 LS IC 74LS86 | AAT 33062 |
| 18 | 15-20107-001 | IC12 LS IC 74LS107 | AAT 33076 |
| 19 | 15-20139-001 | IC13 LS IC 74LS139 | AAT 33097 |
| 20 | 15-20157-001 | IC14 LS IC 74LS157 | AAT 33112 |
| 21 | 15-20161-001 | IC15 LS IC 74LS161 | AAT 33116 |
| 22 | 15-20163-001 | IC16 LS IC 74LS163 | AAT 33118 |
| 23 | 15-20174-001 | IC17 LS IC 74LS174 | AAT 33127 |
| 24 | 15-20175-001 | IC18 LS IC 74LS175 | AAT 33128 |
| 25 | 15-20194-001 | IC19 LS IC 74LS194 | AAT 33144 |
| 26 | 15-20245-001 | IC20 LS IC 74LS245 | AAT 33157 |
| 27 | 15-20273-001 | IC21 LS IC 74LS273 | AAT 33170 |

| ITEM | TAITO PART NO. | DESCRIPTION | REFERENCE |
|------|----------------|--|-----------|
| 28 | 15-20283-001 | IC22 LS IC 74LS283 | AAT 33176 |
| 29 | 15-20367-001 | IC23 LS IC 74LS367 | AAT 33203 |
| 30 | 15-20368-001 | IC24 LS IC 74LS368 | AAT 33204 |
| 31 | 15-10008-001 | IC25 Static Ram MB81014 | |
| 32 | 15-10003-001 | IC26 Static Ram MB8114NL | AAT 32156 |
| 33 | 15-10009-001 | IC27 Static Ram D2115A | AAT 32169 |
| 34 | 16-00001-001 | Rom 1 P-Rom CC-1 2716 | |
| 35 | 16-00001-002 | Rom 2 P-Rom CC-2 2716 | |
| 36 | 16-00001-003 | Rom 3 P-Rom CC-3 2716 | |
| 37 | 16-00001-004 | Rom 4 P-Rom CC-4 2716 | |
| 38 | 16-00001-005 | Rom 5 P-Rom CC-5 2716 | |
| 39 | 16-00001-006 | Rom 6 P-Rom CC-6 2716 | |
| 40 | 16-00001-014 | Rom A P-Rom A 6331-1J | |
| 41 | 16-00001-015 | Rom B P-Rom B 6331-1J | |
| 42 | 16-00001-016 | Rom C P-Rom C 6331-1J | |
| 43 | 12-10003-101 | C1 Cap-Ceramic 100pf50V | AAT 41378 |
| 44 | 12-10002-104 | C2 Cap-Ceramic 0.1uf50V | AAT 41672 |
| 45 | 11-00001-101 | R 1 Res, Carbon 100ohm ¼-5% | AAT 51741 |
| 46 | 11-00001-221 | R 2 Res, Carbon 220 ¼-5% | AAT 51749 |
| 47 | 11-00001-331 | R 3 Res, Carbon 330 ¼-5% | AAT 51753 |
| 48 | 11-00001-471 | R 4 Res, Carbon 470 ¼-5% | AAT 51757 |
| 49 | 11-00001-102 | R 5 Res, Carbon 1K | AAT 51765 |
| 50 | 11-00001-562 | R 6 Res, Carbon 5.6K | AAT 51783 |
| 51 | 11-00001-103 | R 7 Res, Carbon 10K ¼-5% | AAT 51789 |
| 52 | 63-00014-001 | Locking Circuit Board Support LCB-8 | |

C.P.U. BOARD "A"

FIGURE 6



358

CPU BOARD "B" & COMPONENT LIST

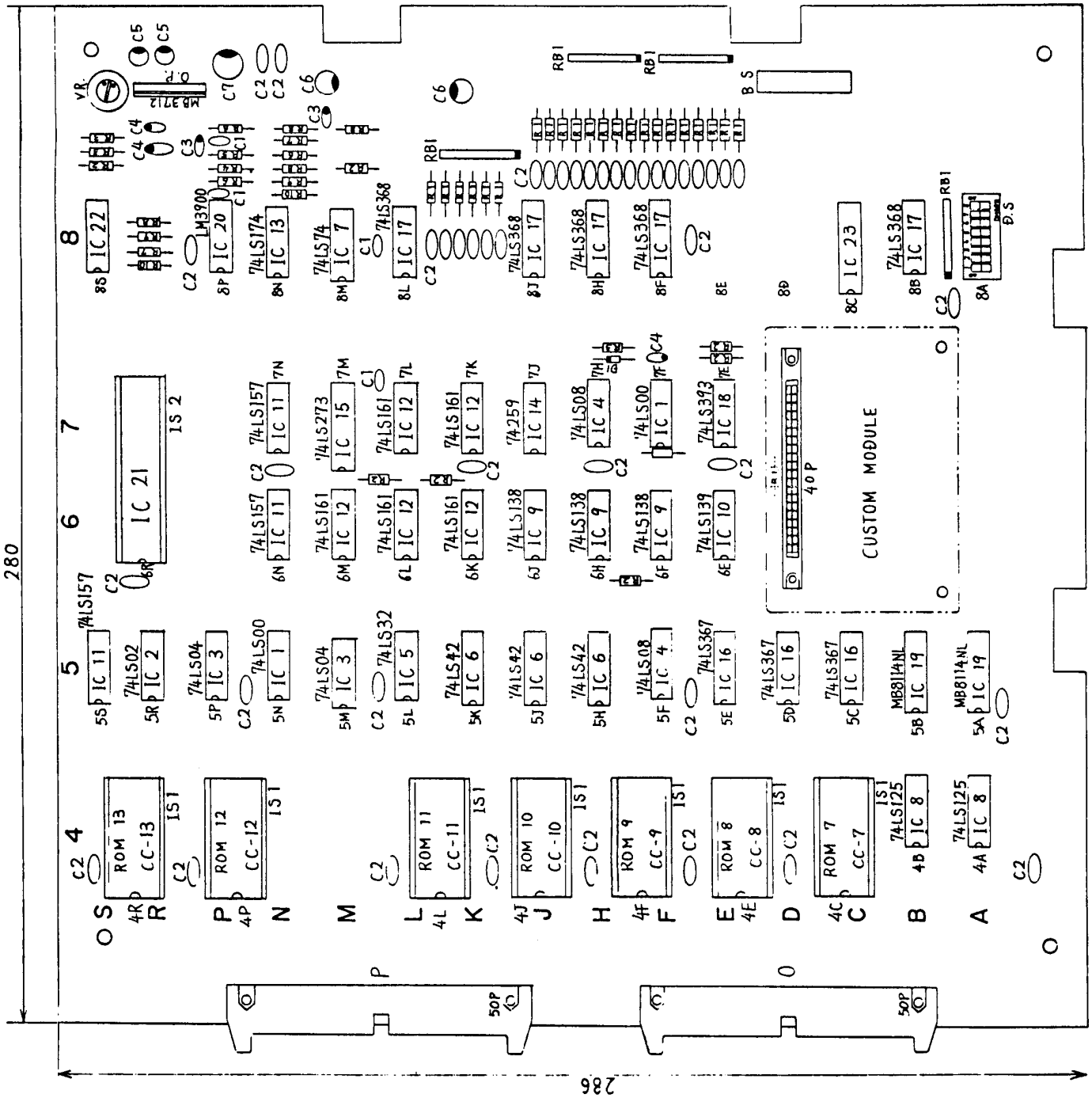
FIGURE 7

| ITEM | TAITO PART NO. | DESCRIPTION | REFERENCE |
|------|----------------|--------------------------------|-----------|
| 1 | 79-00013-001 | PC Board Sticker | |
| 2 | 29-00008-001 | Dip Switch DDS-8 | AAO 52566 |
| 3 | 26-00001-024 | IC Socket 24P | AAO 55787 |
| 4 | 26-00001-040 | IC Socket 40P | AAO 55812 |
| 5 | 25-00004-001 | PC Board Conn. PCN364JO40AG | |
| 6 | 25-00021-001 | Angle Pin Header PS 50PA | AAO 55154 |
| 7 | 11-60001-202 | Variable Res 2K P1 | |
| 8 | 13-00002-001 | Diode IS1588 | AAI 12025 |
| 9 | 15-50003-001 | OP Amp MB 3712 | AAT31042 |
| 10 | 15-20000-001 | IC 1 LS IC 74LS00 | AAT 33001 |
| 11 | 15-20002-001 | IC 2 LS IC 74LS02 | AAT 33003 |
| 12 | 15-20004-001 | IC 3 LS IC 74LS04 | AAT 33005 |
| 13 | 15-20008-001 | IC 4 LS IC 74LS08 | AAT 33009 |
| 14 | 15-20032-001 | IC 5 LS IC 74LS32 | AAT 33027 |
| 15 | 15-20042-001 | IC 6 LS IC 74LS42 | AAT 33032 |
| 16 | 15-20074-001 | IC 7 LS IC 74LS74 | AAT 33051 |
| 17 | 15-20125-001 | IC 8 LS IC 74LS125 | AAT 33089 |
| 18 | 15-20138-001 | IC 9 LS IC 74LS138 | AAT 33096 |
| 19 | 15-20139-001 | IC10 LS IC 74LS139 | AAT 33097 |
| 20 | 15-20157-001 | IC11 LS IC 74LS157 | AAT 33112 |
| 21 | 15-20161-001 | IC12 LS IC 74LS161 | AAT 33116 |
| 22 | 15-20174-001 | IC13 LS IC 74LS174 | AAT 33127 |
| 23 | 15-30259-001 | IC14 TTL IC 74259 | 01709 |
| 24 | 15-20273-001 | IC15 LS IC 74LS273 | AAT 33170 |
| 25 | 15-20367-001 | IC16 LS IC 74LS367 | AAT 33203 |
| 26 | 15-20368-001 | IC17 LS IC 74LS368 | AAT 33204 |
| 27 | 15-20393-001 | IC18 LS IC 74LS393 | AAT 33220 |
| 28 | 15-10003-001 | IC19 Static Ram MB8114NL | AAT 33156 |
| 29 | 15-50004-001 | IC20 Op Amp LM3900 | AAT 31011 |
| 30 | 15-60003-001 | IC21 Sound IC AY-3-8910 | AAT 32165 |

| ITEM | TAITO PART NO. | DESCRIPTION | REFERENCE |
|------|----------------|------------------------------------|-----------|
| 31 | 16-00001-107 | Rom 7 CC-7A 2732 | |
| 32 | 16-00001-108 | Rom 8A P-Rom CC-8 2732 | |
| 33 | 16-00001-009 | Rom 9 P-Rom CC-9 2732 | |
| 34 | 16-00001-010 | Rom 10 P-Rom CC-10 2732 | |
| 35 | 16-00001-011 | Rom 11 P-Rom CC-11 2732 | |
| 36 | 16-00001-012 | Rom 12A P-Rom CC-12 2732 | |
| 37 | 16-00001-113 | Rom 13A P-Rom CC-13 2732 | |
| 38 | 12-10002-102 | C1 Cap-Ceramic 0.00uf50V | AAT 41399 |
| 39 | 12-10002-104 | C2 Cap-Ceramic 0.1uf50V | AAT 41672 |
| 40 | 12-40001-105 | C3 Cap, Tantalum 1uf25V | AAT 41425 |
| 41 | 12-40001-106 | C4 Cap, Tantalum 10uf25V | AAT 41430 |
| 42 | 12-50001-476 | C5 Cap, Tantalum 47uf35V | AAT 41657 |
| 43 | 12-20001-107 | C6 Cap, Electrolytic 25VB 100uf | AAT 41036 |
| 44 | 12-20001-477 | C7 Cap, Electrolytic 25VB 470uf | AAT 41039 |
| 45 | 11-00001-221 | R 1 Res, Carbon 220ohm 1/4-5% | AAT 51749 |
| 46 | 11-00001-102 | R 2 Res, Carbon 1K | AAT 51765 |
| 47 | 11-00001-103 | R 3 Res, Carbon 10K | AAT 51789 |
| 48 | 11-00001-183 | R 4 Res, Carbon 18K | AAT 51795 |
| 49 | 11-00001-273 | R 5 Res, Carbon 27K | AAT 51799 |
| 50 | 11-00001-473 | R 6 Res, Carbon 47K | AAT 51805 |
| 51 | 11-00001-104 | R 7 Res, Carbon 100K | AAT 51803 |
| 52 | 11-00001-204 | R 8 Res, Carbon 200K | AAT 51820 |
| 53 | 11-00001-394 | R 9 Res, Carbon 390K | AAT 51827 |
| 54 | 11-00001-824 | R10 Res, Carbon 820K | AAT 51835 |
| 55 | 11-50001-010 | RB1 Resistor Block 1ohmx8 | AAT 55036 |
| 56 | 15-00009-001 | Custom Module | |
| 57 | 15-44066-001 | IC22 C Mos IC MC14066 | AAT 36067 |
| 58 | 15-20245-001 | IC23 LS IC 74LS245 | AAT 33157 |

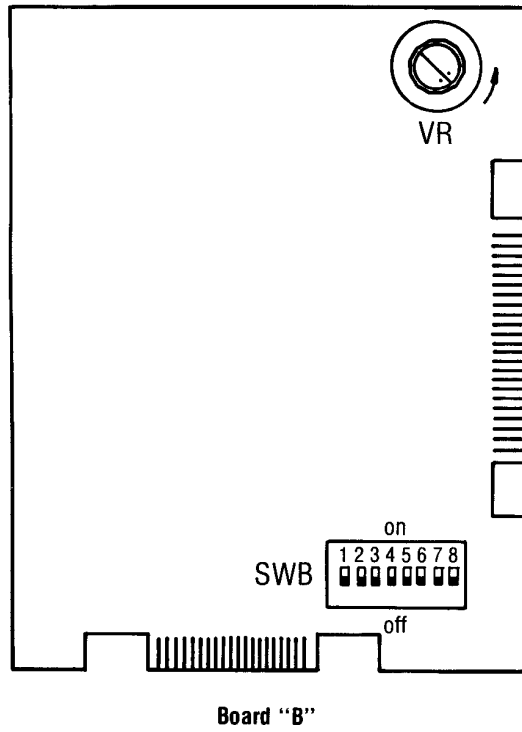
C.P.U. BOARD "B"

FIGURE 7



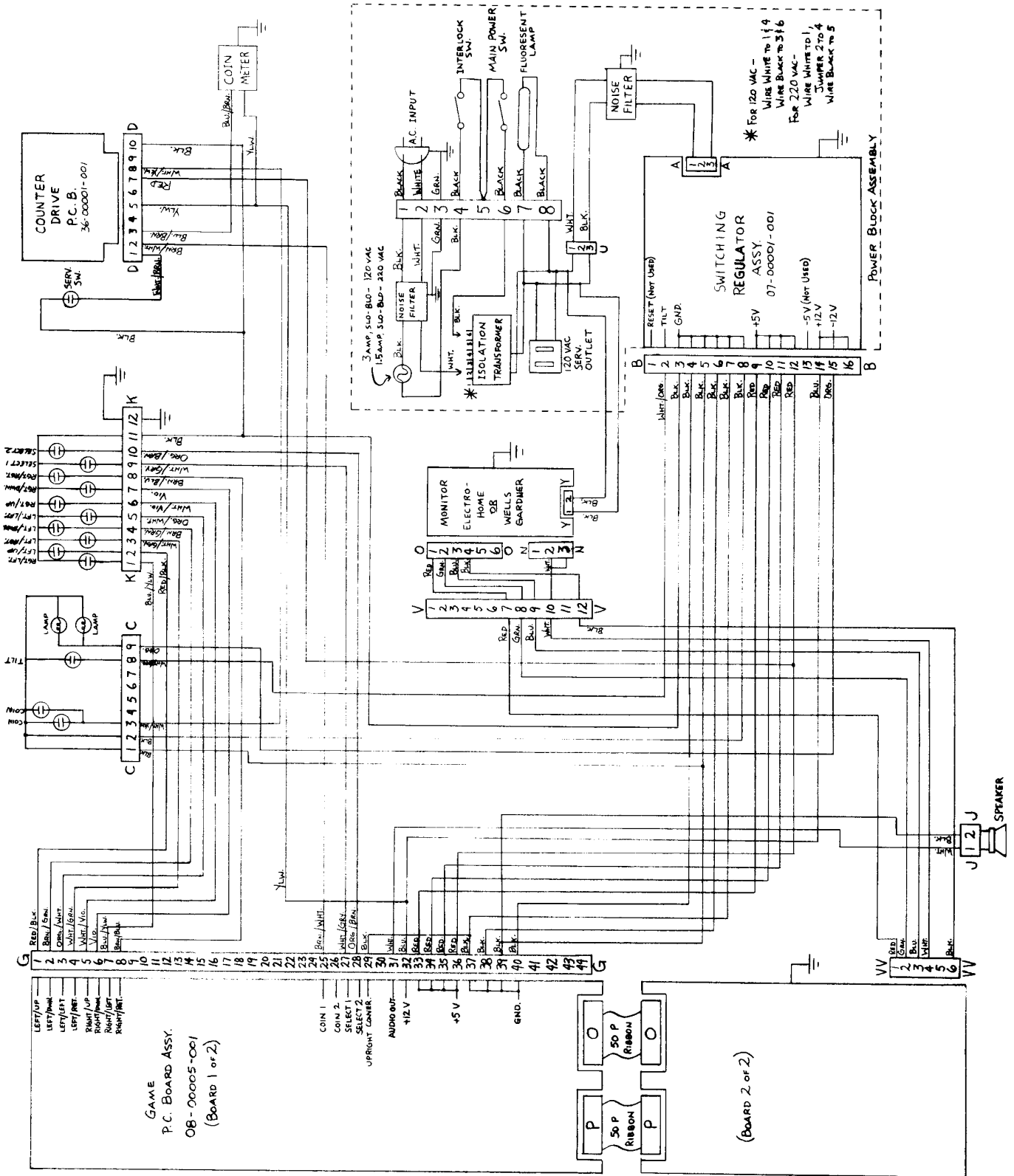
OPTION SWITCH & VOLUME CONTROL LOCATIONS

FIGURE 8



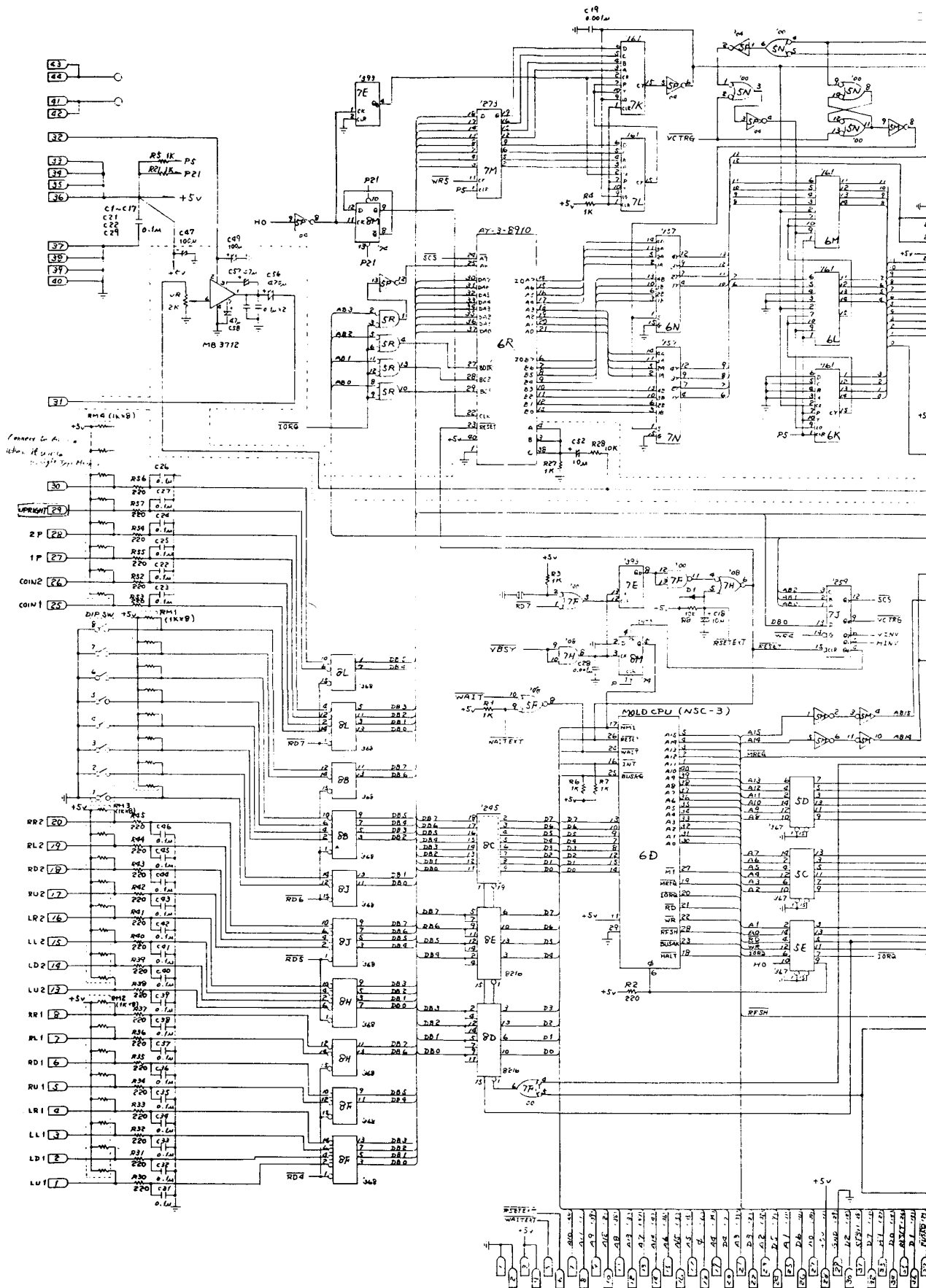
WIRING DIAGRAM

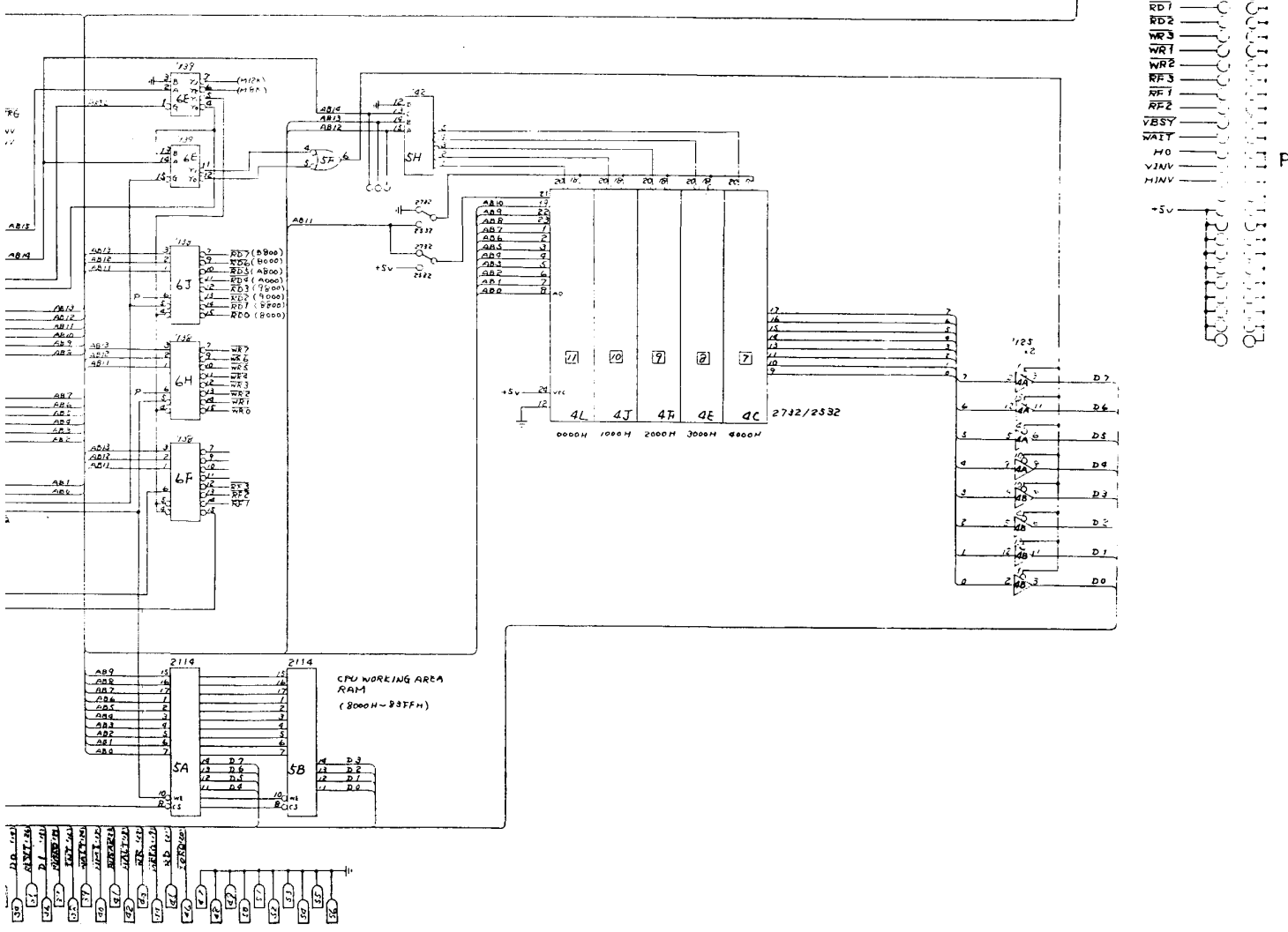
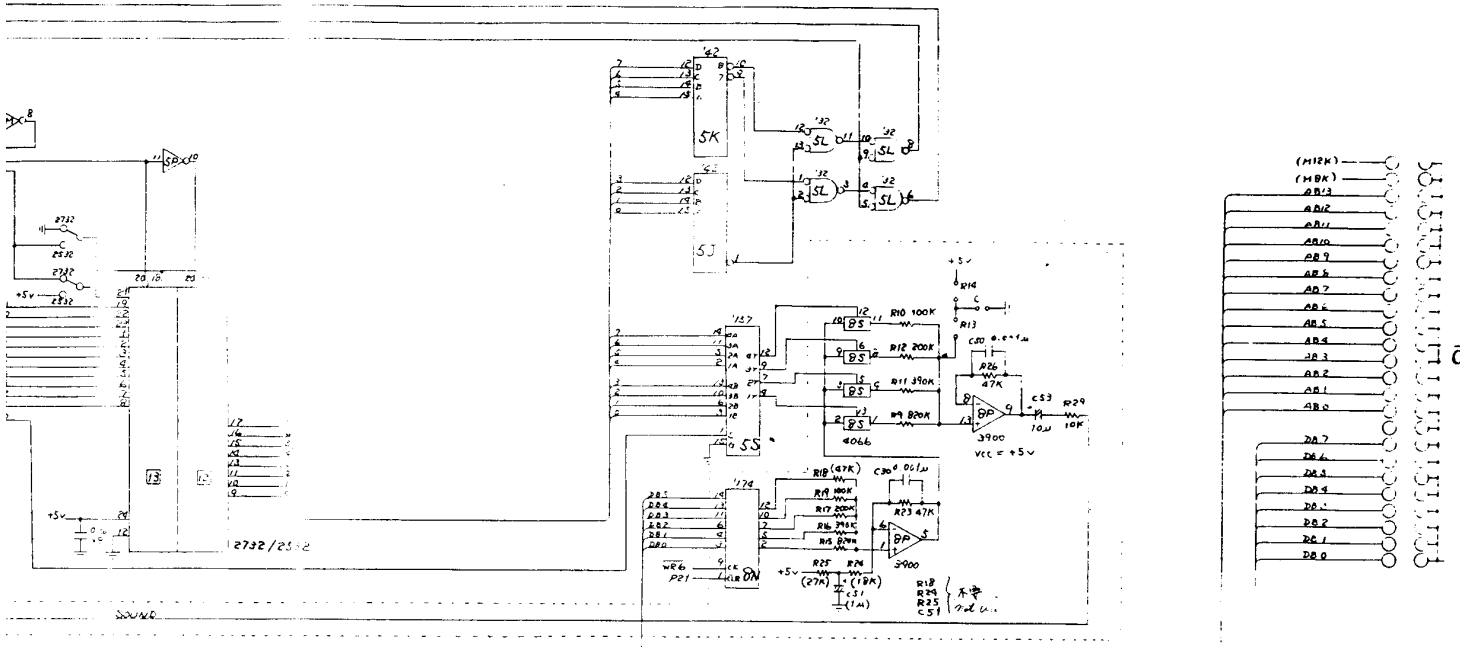
FIGURE 9



PCB BOARD "B" SCHEMATIC

FIGURE 11





PCB BOARD "A" SCHEMATIC

FIGURE 10

